

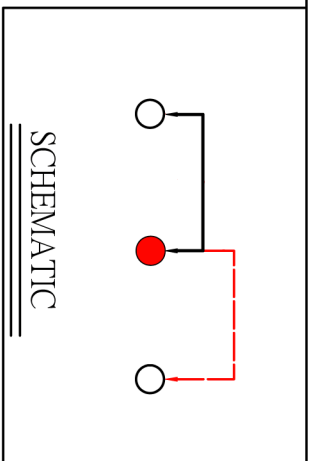
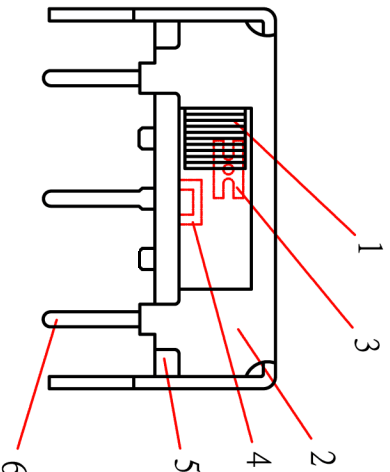
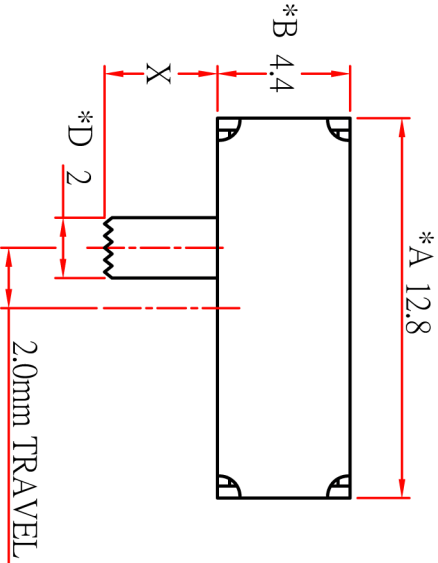
1

2

3

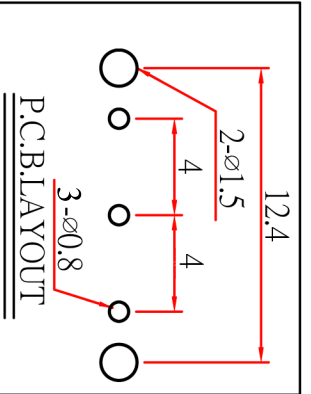
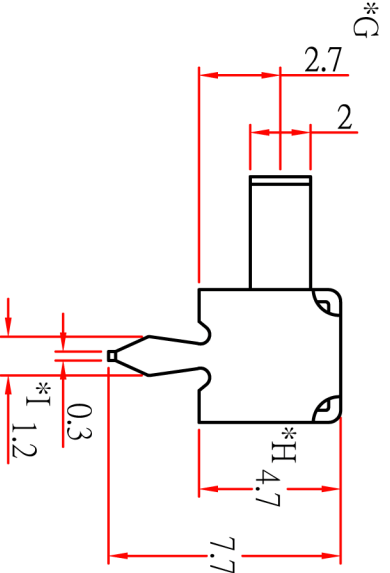
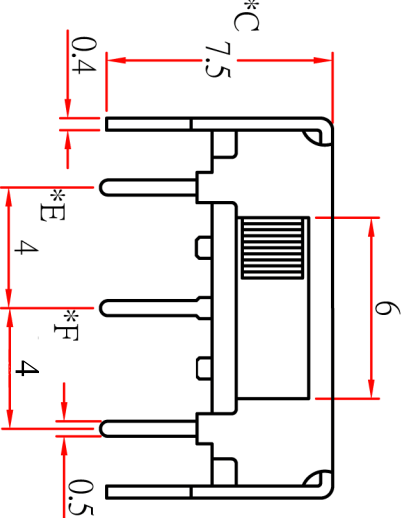
4

A



A

B



C

D

CHI FUNG ELECTRONICS CO.,LTD.



SERIES : SLIDE SWITCH  
 DRAWING NO: CF-ENL-SSH4054-1

PART NAME: SSH-12H01-GX  
 GENERAL TOLERANCE

UNIT : MM  
 WITHIN 0.XXmm+0.15mm

SCALE : 4:1  
 OVER 0.Xmm+0.25mm

REV : A/0  
 DWN. CHK'D APPD.

7	TERMINAL	BRASS	3	Ag COATING
6	BASE	PHENOLIC RESIN	1	YELLOW
5	CONTACT	PBS	1	Ag COATING
4	SPRING PLATE	PBS	1	NATURAL
3	FRAME	SPN STRIP	1	Ni COATING
2	KNOB	POM	1	BLACK
1	PART NAME	MATERIAL	QTY	FINISHING

D

\* CRITICAL DIMENSION

1

2

3

4

B