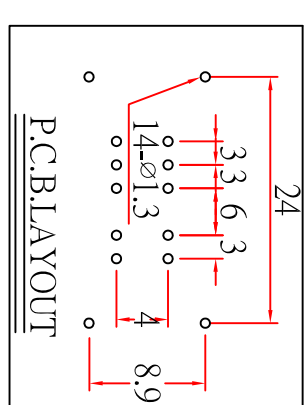
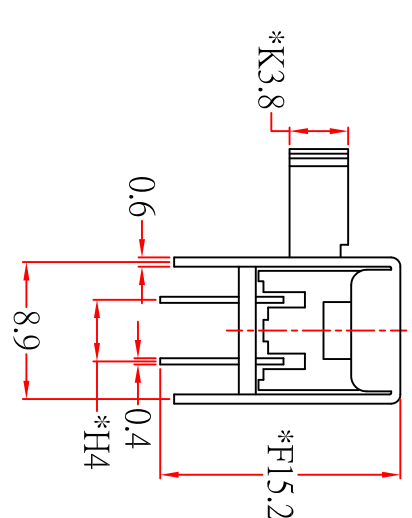
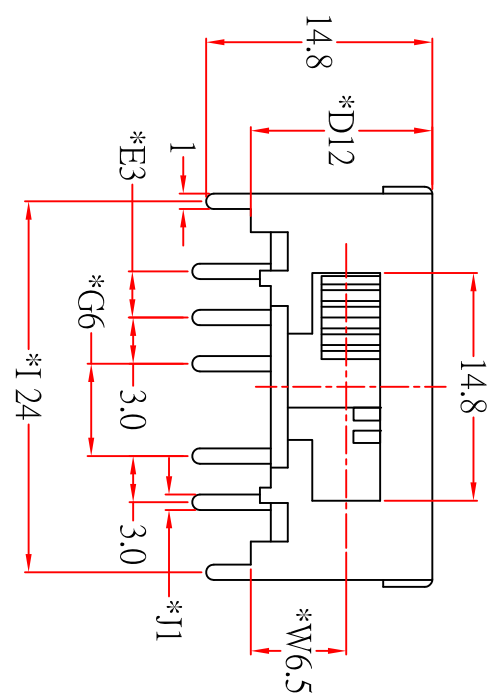
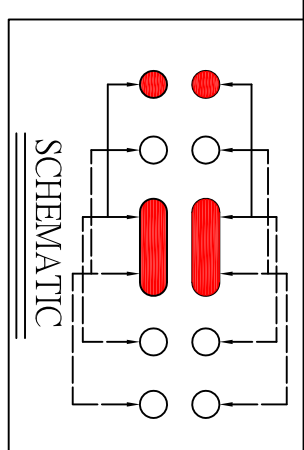
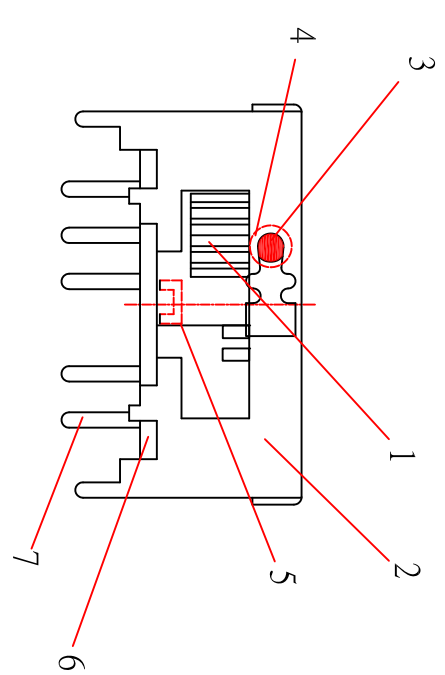
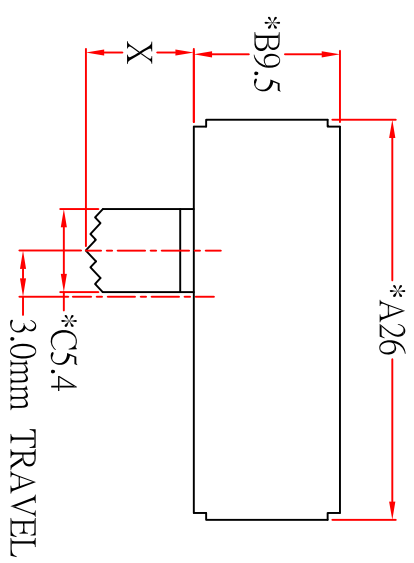
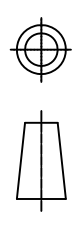


1 2 3 4



* CRITICAL DIMENSION

D



7	TERMINAL	BRASS	10	Ag COATING
6	BASE	PHENOLIC RESIN	1	BLACK
5	CONTACT	PBS	2	Ag COATING
4	SPRING	STEEL WIRE	1	NATURAL
3	STEEL BALL	STEEL	1	NATURAL
2	FRAME	SPN STRIP	1	Ni COATING
1	KNOB	POM	1	BLACK
	PART NAME	MATERIAL	QTY	FINISHING

D

CHI FUNG ELECTRONICS CO.,LTD.

SERIES : SLIDE SWITCH
 PART NAME : SSH-24F01
 DRAWING NO. : CF-ENT-SSH4001
 GENERAL TOLERANCE

UNIT : M/M
 SCALE : 2:1
 REV : A/0

WITHIN 0.XXmm±0.15mm
 OVER 0.Xmm±0.25mm

1 2 3 4