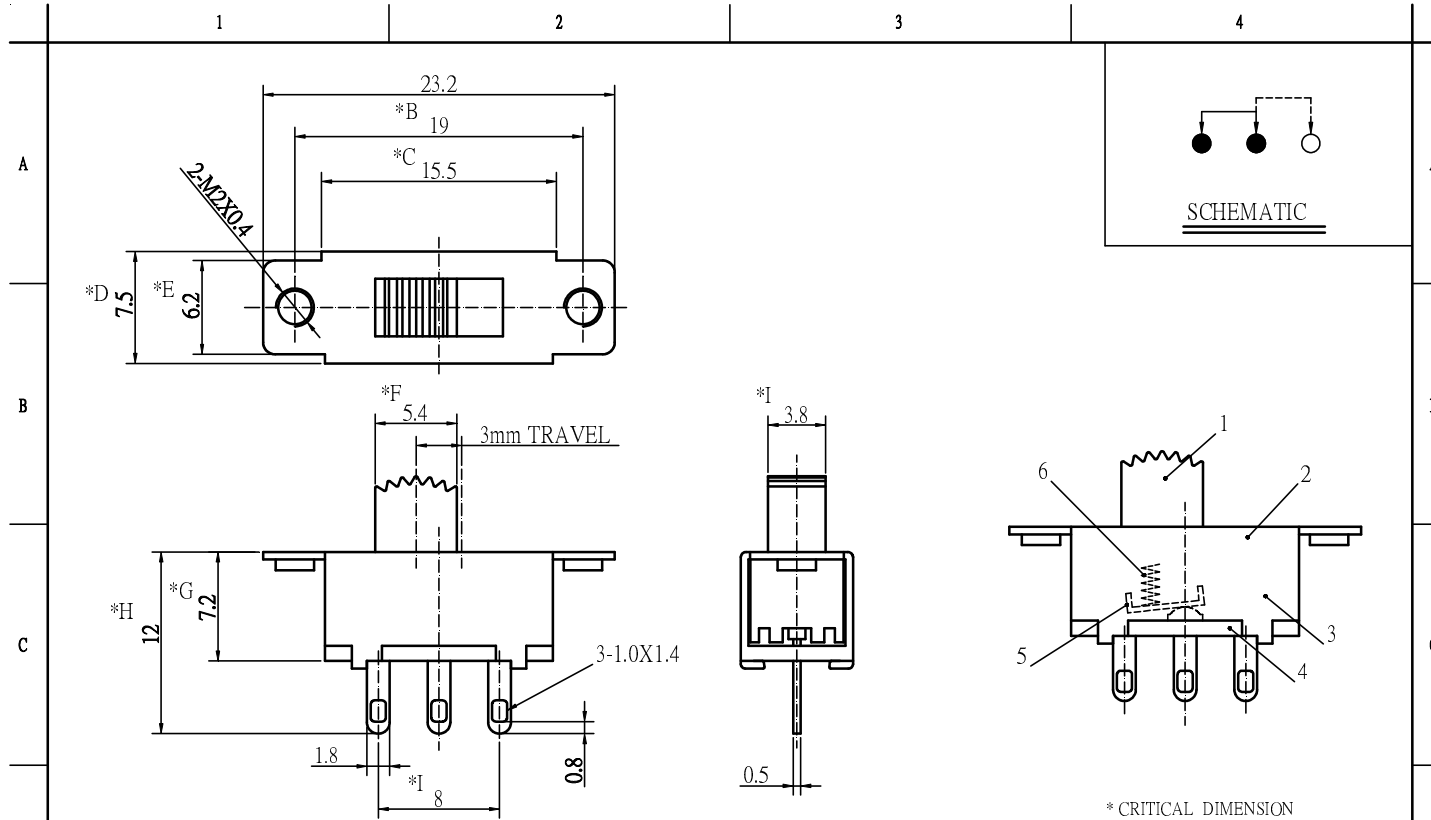
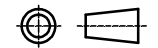


*A



* CRITICAL DIMENSION

CHI FUNG ELECTRONICS CO.,LTD.



SERIES : SLIDE KNOB SWITCH		DRAWING NO.:	CF-ENL-SSV4062
PART NAME: SSV-12F13-GX		GENERAL TOLERANCE	
UNIT : MM	DWN.	WITHIN 0.XXmm+Q.15mm OVER 0.Xmm+Q.25mm	
SCALE : 3:1	CHK'D		
REV : A/O	APPD.		

7				
6	SPRING	STEEL WIRE	1	NATURAL
5	CONTACT	BRASS	1	Ag COATING
4	TERMINAL	BRASS	3	Ag COATING
3	BASE	PHENOLIC RESIN	1	YELLOW or BLACK
2	FRAME	SPN	1	NaOH PROCESS
1	KNOB	POM	1	BLACK
NO.	PART NAME	MATERIAL	QTY	FINISHING