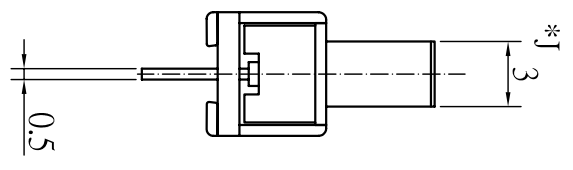
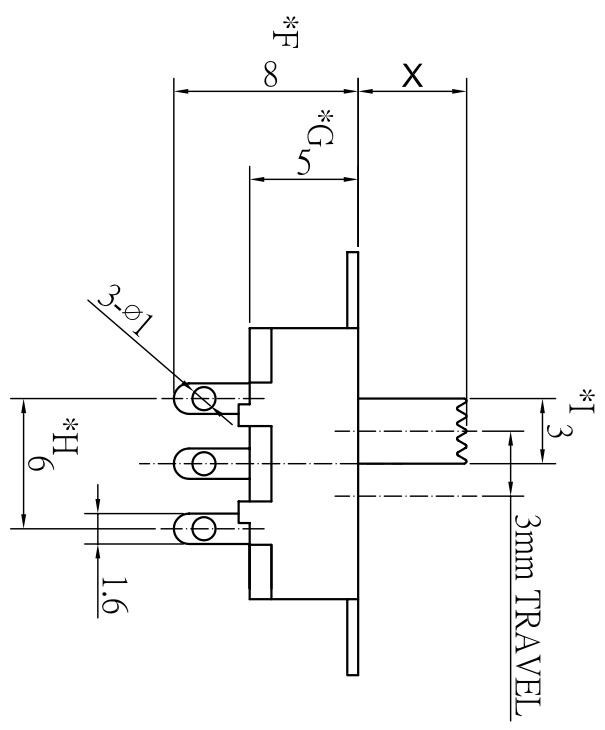
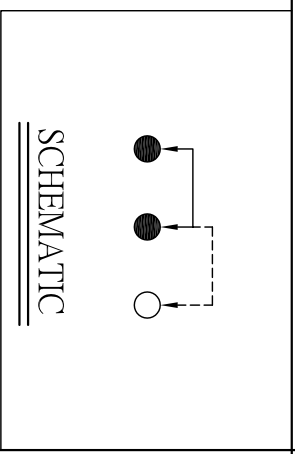
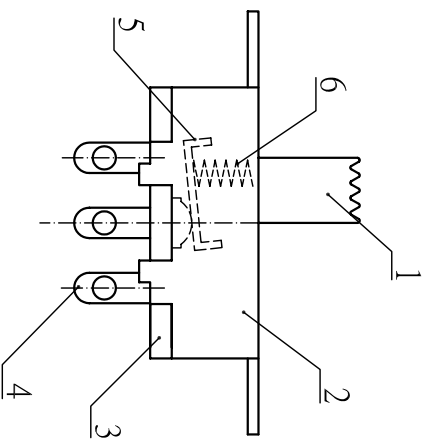
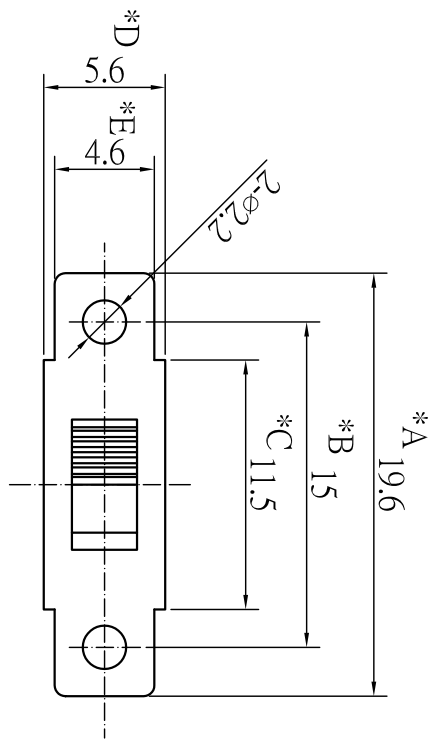


1 2 3 4



\* CRITICAL DIMENSION

# CHI FUNG ELECTRONICS CO.,LTD.

SERIES : SLIDE SWITCH	DRAWING NO.:	CF-ENL-SSV4038-3
PART NAME:SSV-12P15-G3X	GENERAL TOLERANCE	
UNIT : MM	DWN.:	
SCALE : 3:1	CHK'D	
REV : A/0	APPD.:	
	WITHIN 0.XXmm±0.15mm	
	OVER 0.Xmm±0.25mm	

NO.	PART NAME	MATERIAL	QTY	FINISHING
1	KNOB	POM	1	BLACK
2	FRAME	SPN	1	N&HO PROCESS
3	BASE	PHENOLIC RESIN	1	YELLOW
4	TERMINAL	BRASS	3	Ag COATING
5	CONTACT	COPPER	1	Ag COATING
6	SPRING	STEEL WIRE	1	NATURAL

D C B A