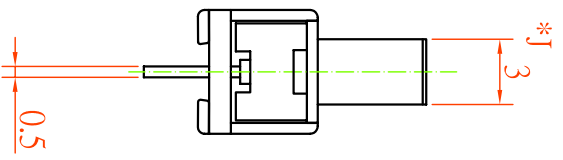
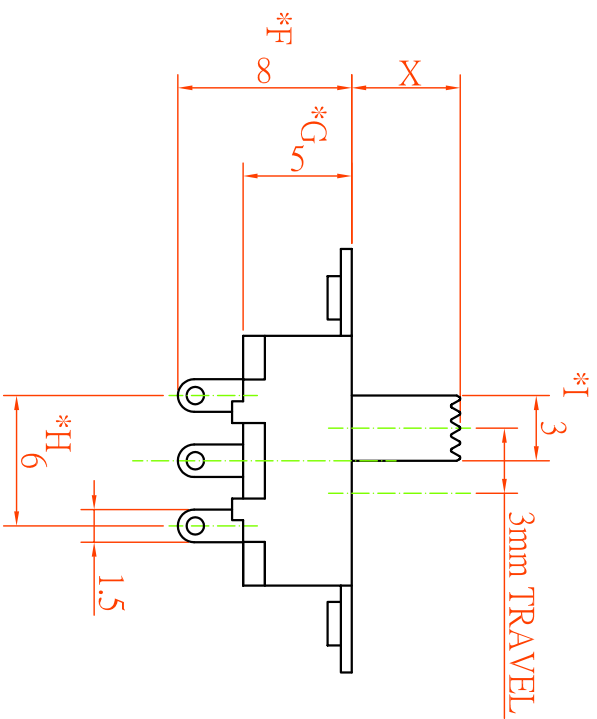
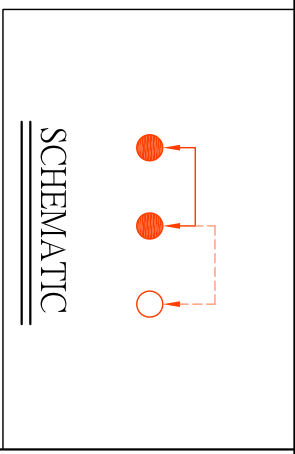
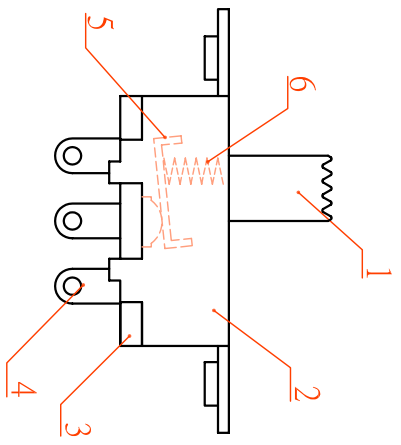
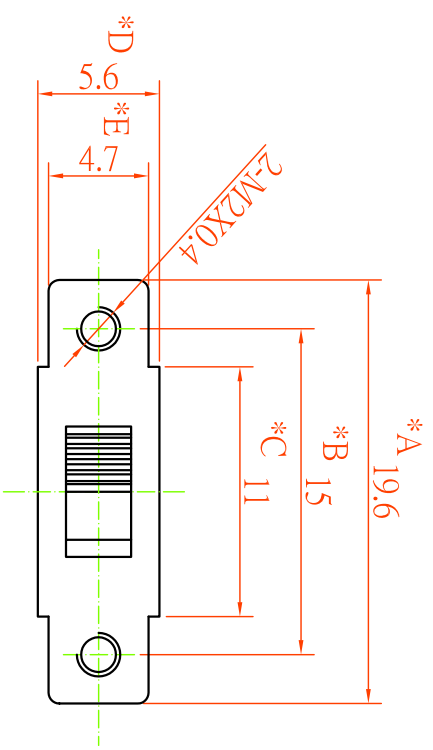


1 2 3 4



\* CRITICAL DIMENSION

# CHI FUNG ELECTRONICS CO.,LTD.

SERIES : SLIDE KNOB SWITCH	DRAWING NO. : CF-ENL-SSV4116
PART NAME: SSV-12F16-GX	GENERAL TOLERANCE
UNIT : MM	WITHIN 0.XXmm±0.15mm
SCALE : 3:1	OVER 0.Xmm±0.25mm
REV : A/0	APPD.

NO.	PART NAME	MATERIAL	QTY	FINISHING
1	KNOB	POM	1	BLACK
2	FRAME	SPN	1	NaOH PROCESS
3	BASE	PHENOLIC RESIN	1	YELLOW
4	TERMINAL	BRASS	3	Ag COATING
5	CONTACT	BRASS	1	Ag COATING
6	SPRING	STEEL WIRE	1	NATURAL
7				

D