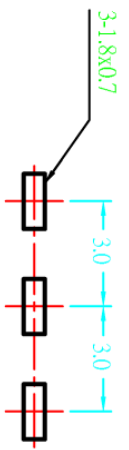
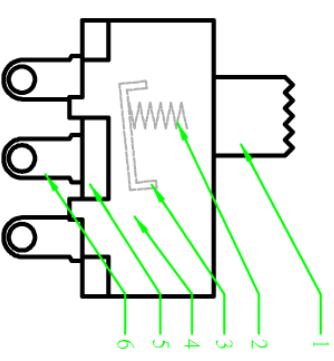
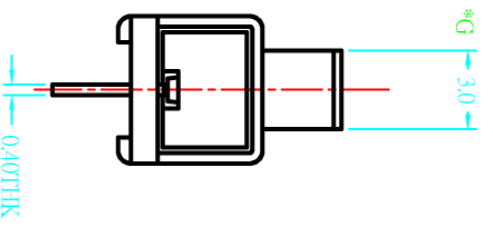
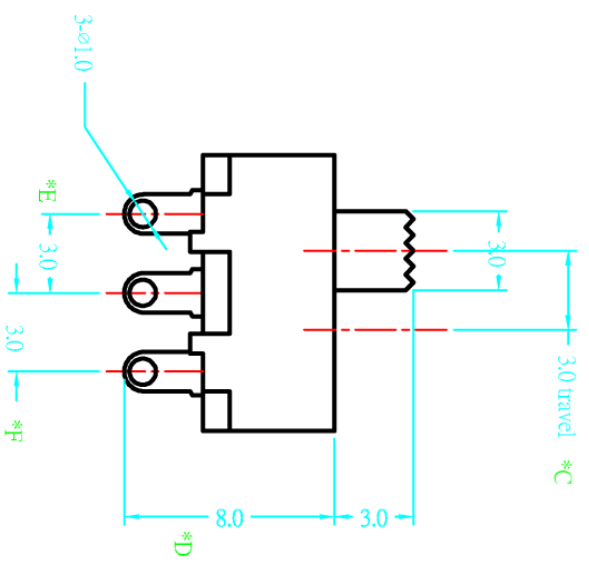
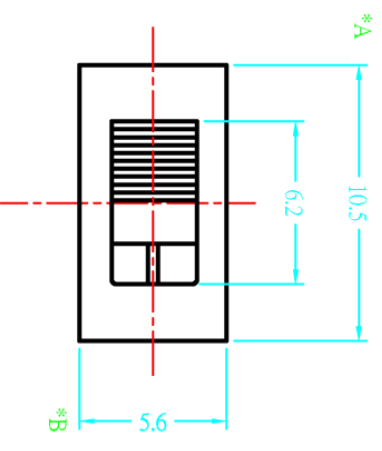
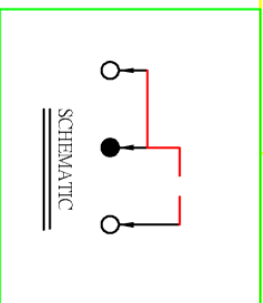


REVISION		DATE
POSITION	DESCRIPTION	
Δ		



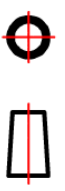
P.C.B.LAYOUT

* CRITICAL DIMENSION



CHI FUNG ELECTRONICS CO.,LTD.

SERIES : SLIDE SWITCH	DRAWING NO. CF-ENL-SSV4314
PART NAME :SSV-12F33-G3	GENERAL TOLERANCE
UNIT : MM	DWN. X.XXmm?, 15mm
SCALE : 5:1	CHK'D X.Xmm?, 25mm
REV : A/0	APPD.



NO.	TERMINAL	BRASS STRIP	QTY	FINISHING
1	BASE	PHENOLIC RESIN	1	NATURAL
2	FRAME	MILD STEEL	1	BLACK
3	CONTACT	BRASS	1	Ag PLATED
4	SPRING	SUS WIRE	1	NATURAL
5	STEM	POM	1	BLACK
6	PART NAME	MATERIAL		
7				