

REVISION		
POSITION	DESCRIPTION	DATE
△		

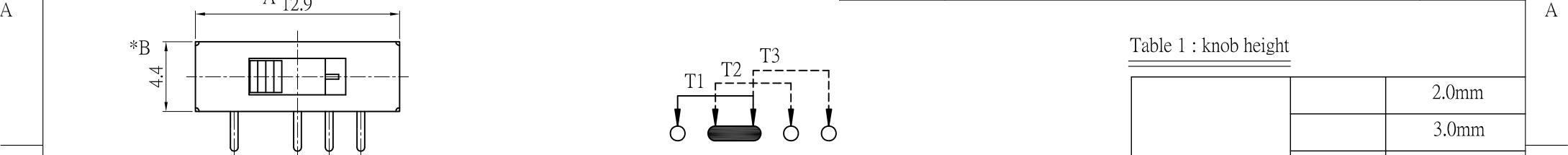
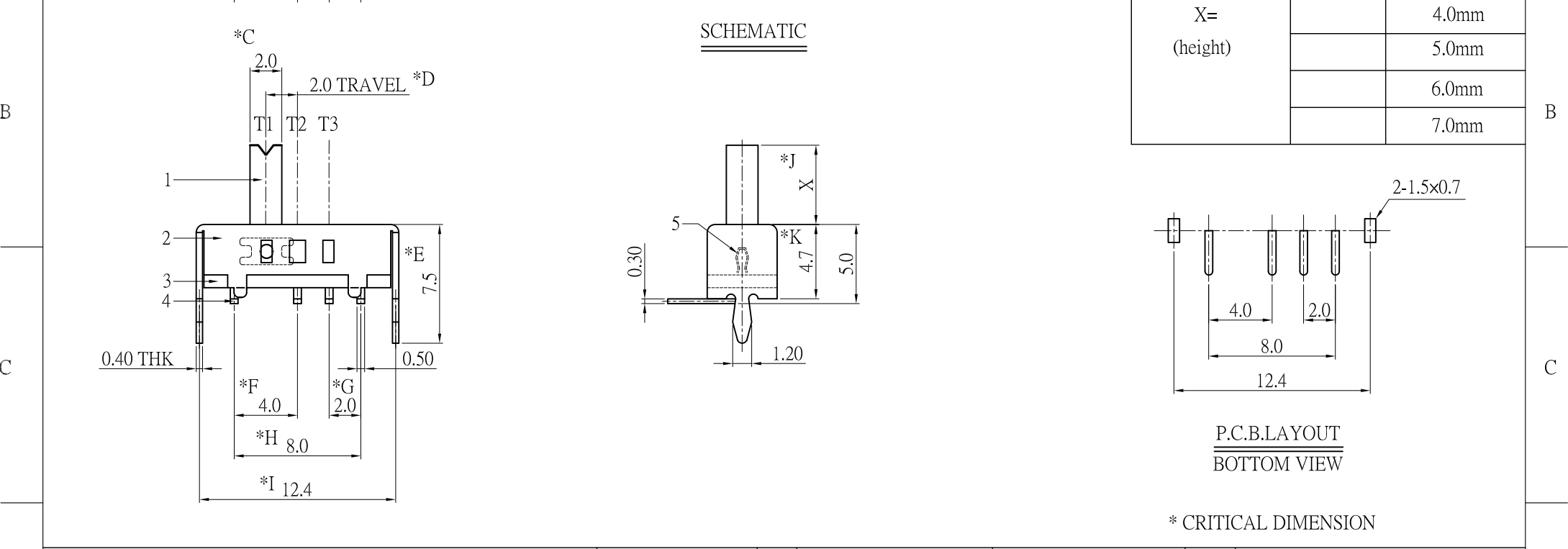


Table 1 : knob height

X= (height)	2.0mm
	3.0mm
	4.0mm
	5.0mm
	6.0mm
	7.0mm



* CRITICAL DIMENSION

CHI FUNG ELECTRONICS CO.,LTD.				7			
SERIES : SLIDE SWITCH		DRAWING NO. CF-ENL-SSV		6			
PART NAME : SSV-13D03-VGX-H(曲脚)		GENERAL TOLERANCE		5	CONTACT CLIP	PBS STRIP	1 Ag CLAD
UNIT : MM	DWN.	X.XXmm±0.15mm X.Xmm±0.25mm		4	TERMINAL	BRASS STRIP	4 Ag PLATED
SCALE : 5:1	CHK'D			3	BASE	PHENOLIC RESIN	1 NATURAL
REV : A/O	APPD.			2	FRAME	STEEL STRIP	1 Ni PLATED
				1	KNOB	POM	1 BLACK
				NO.	PART NAME	MATERIAL	QTY FINISHING