

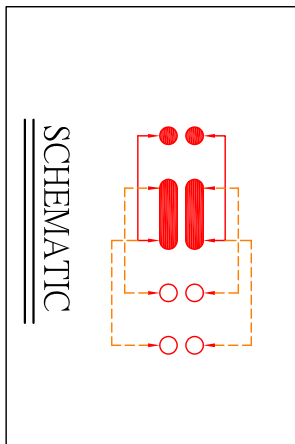
1

2

3

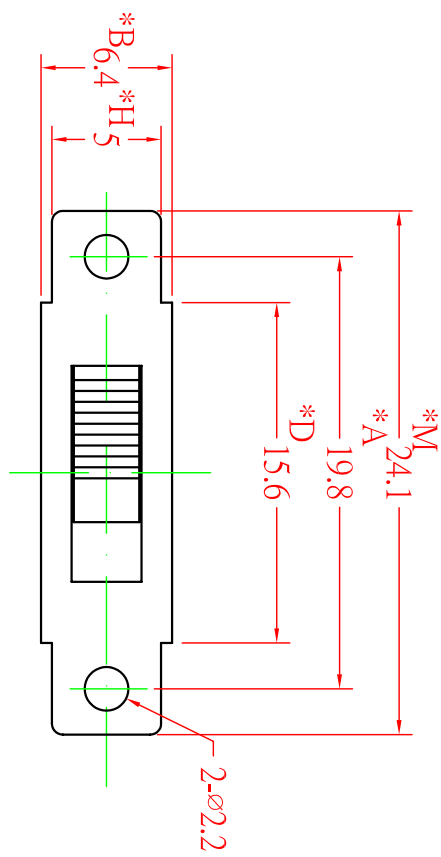
4

A



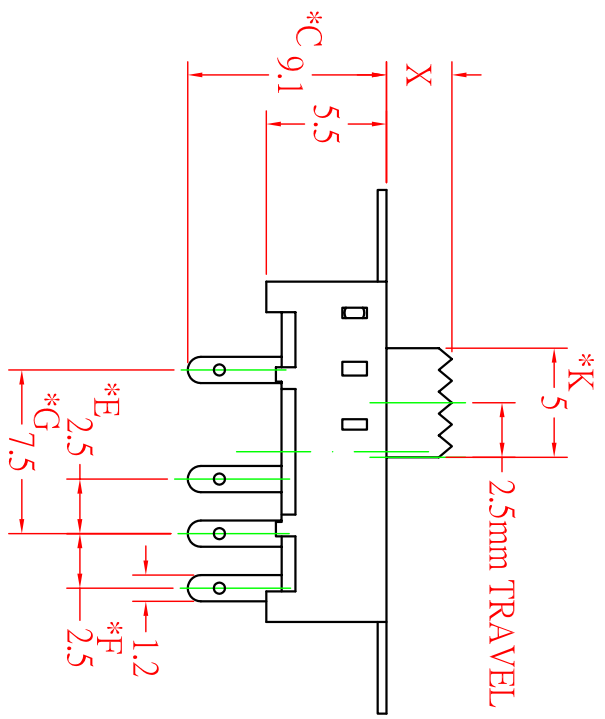
A

B



B

C



C

D

CHI FUNG ELECTRONICS CO.,LTD.

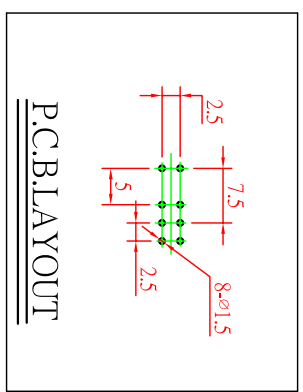


SERIES : SLIDE SWITCH
 PART NAME: SSV-23E04-GX
 UNIT : MM
 SCALE : 3:1
 REV : A/0

DRAWING NO.: CF-ENL-SSV4084-1
 GENERAL TOLERANCE

WITHIN 0.15mm±0.15mm
 OVER 0.15mm±0.25mm

* CRITICAL DIMENSION



NO.	PART NAME	MATERIAL	QTY	FINISHING
7	STEEL BALL	STEEL	2	NATURAL
6	SPRING	STEEL WIRE	1	NATURAL
5	CONTACT	C5210R-EH	2	Ag CLAD
4	TERMINAL	BRASS	8	Ag COATING
3	BASE	PHENOLIC RESIN	1	YELLOW
2	FRAME	SPN	1	NI COATING
1	KNOB	POM	1	BLACK

D

1

2

3

4