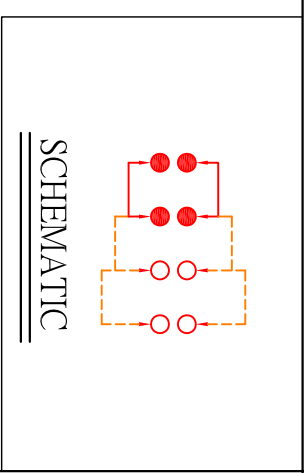
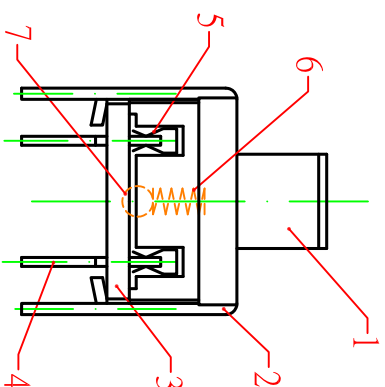
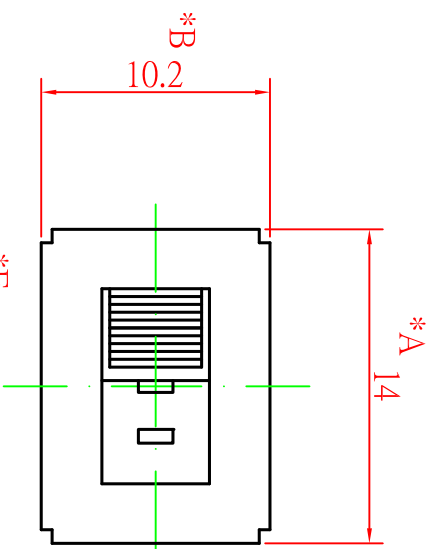


1

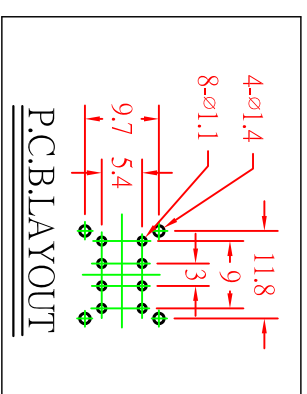
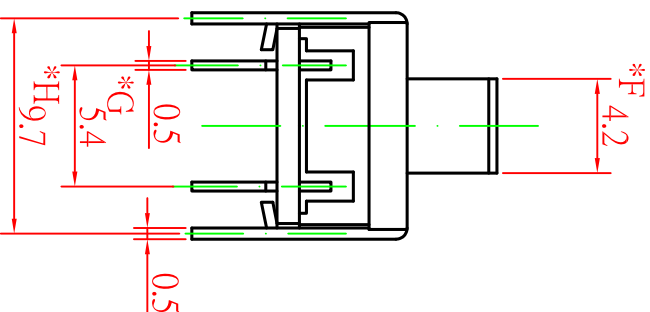
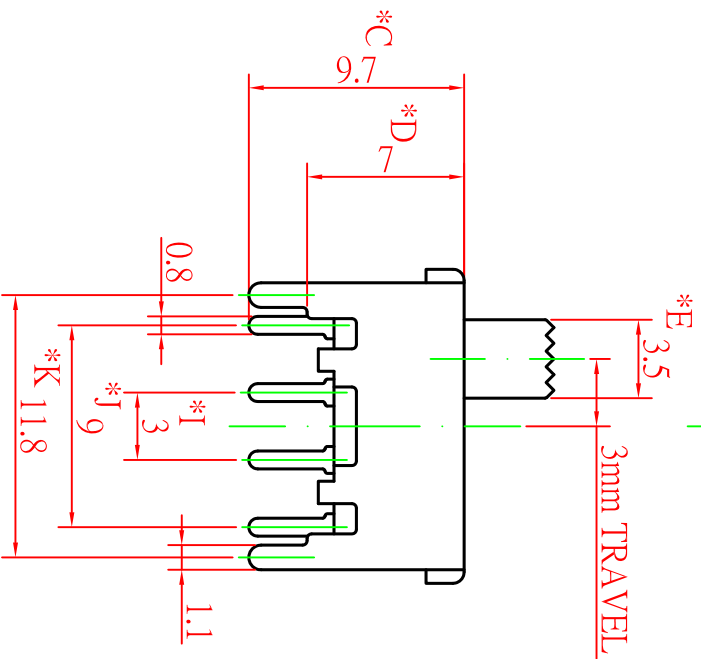
2

3

4



A



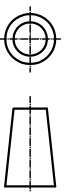
* CRITICAL DIMENSION

C

B

A

CHI FUNG ELECTRONICS CO.,LTD.



SERIES : SLIDE SWITCH		DRAWING NO. : CF-ENL-SSV4087-2	
PART NAME: SSV-23F06-GX		GENERAL TOLERANCE	
UNIT : MM	DWN.	WITHIN 0.XXmm±0.15mm	
SCALE : 3:1	CHK'D	OVER 0.Xmm±0.25mm	
REV : A/0	APPD.		

NO.	PART NAME	MATERIAL	QTY	FINISHING
7	STEEL BALL	STEEL	1	NATURAL
6	SPRING	STEEL WIRE	1	NATURAL
5	CONTACT	C5210R-EH	2	Ag CLAD
4	TERMINAL	BRASS	8	Ag COATING
3	BASE	PHENOLIC RESIN	1	YELLOW
2	FRAME	SPN	1	Ni COATING
1	KNOB	POM	1	BLACK

D

C

B

1

2

3

4