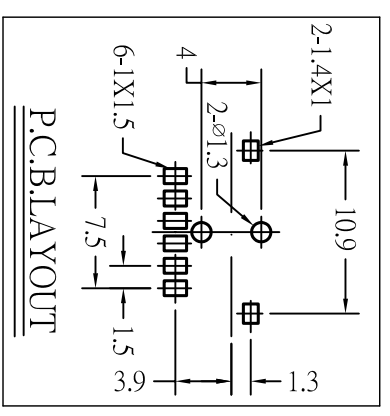
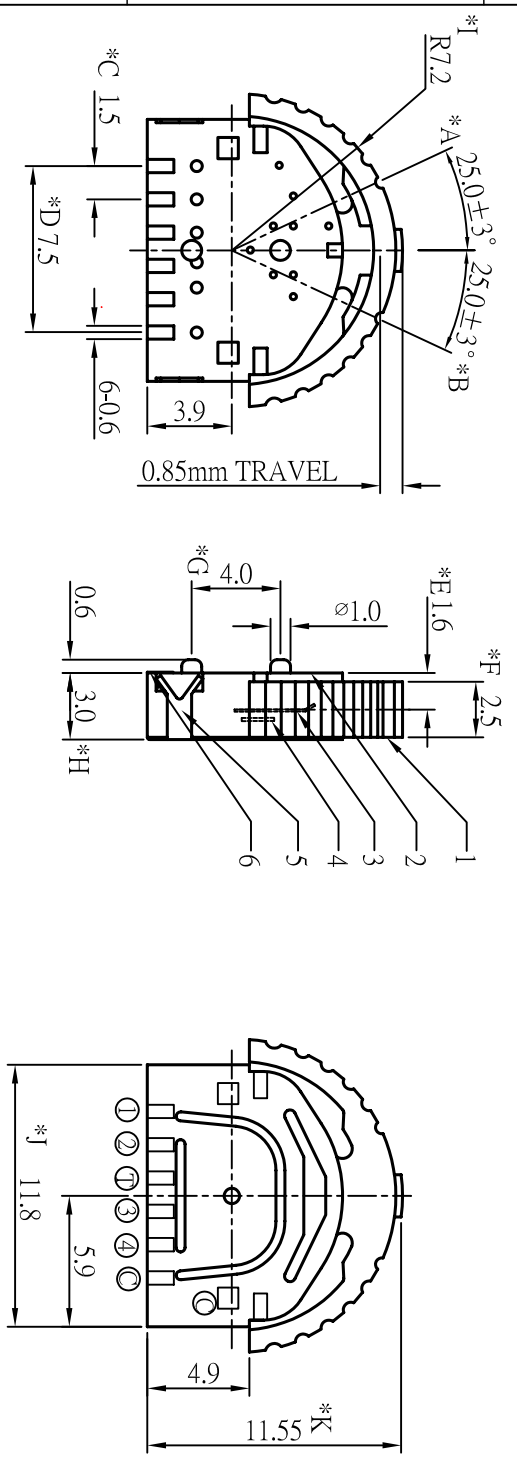


Terminal	25°	0°	25°
①	■ (21.5)	(11)	(11)
②	■ (21.5)		
③			■ (21.5)
④			■ (21.5)
⑤			■ (21.5)
⑥			■ (21.5)

**SCHEMATIC**



\* CRITICAL DIMENSION



**CHI FUNG ELECTRONICS CO.,LTD.**

SERIES : TACT SWITCH	DRAWING NO. : CF-ENL-TS4208
PART NAME: TS-1501	GENERAL TOLERANCE
UNIT : MM	WITHIN 0.XXmm±0.15mm
SCALE : 3 : 1	OVER 0.Xmm±0.25mm
REV : A/0	



NO.	PART NAME	MATERIAL	QTY
1	COVER	SUS	1
2	STEM	PA46	1
3	CONTACT	C9210R-EH	1
4	TERMINAL	BRASS	8
5	CASE	PA46	1
6	SPRING	STEEL WIRE	1
7			