

1

2

3

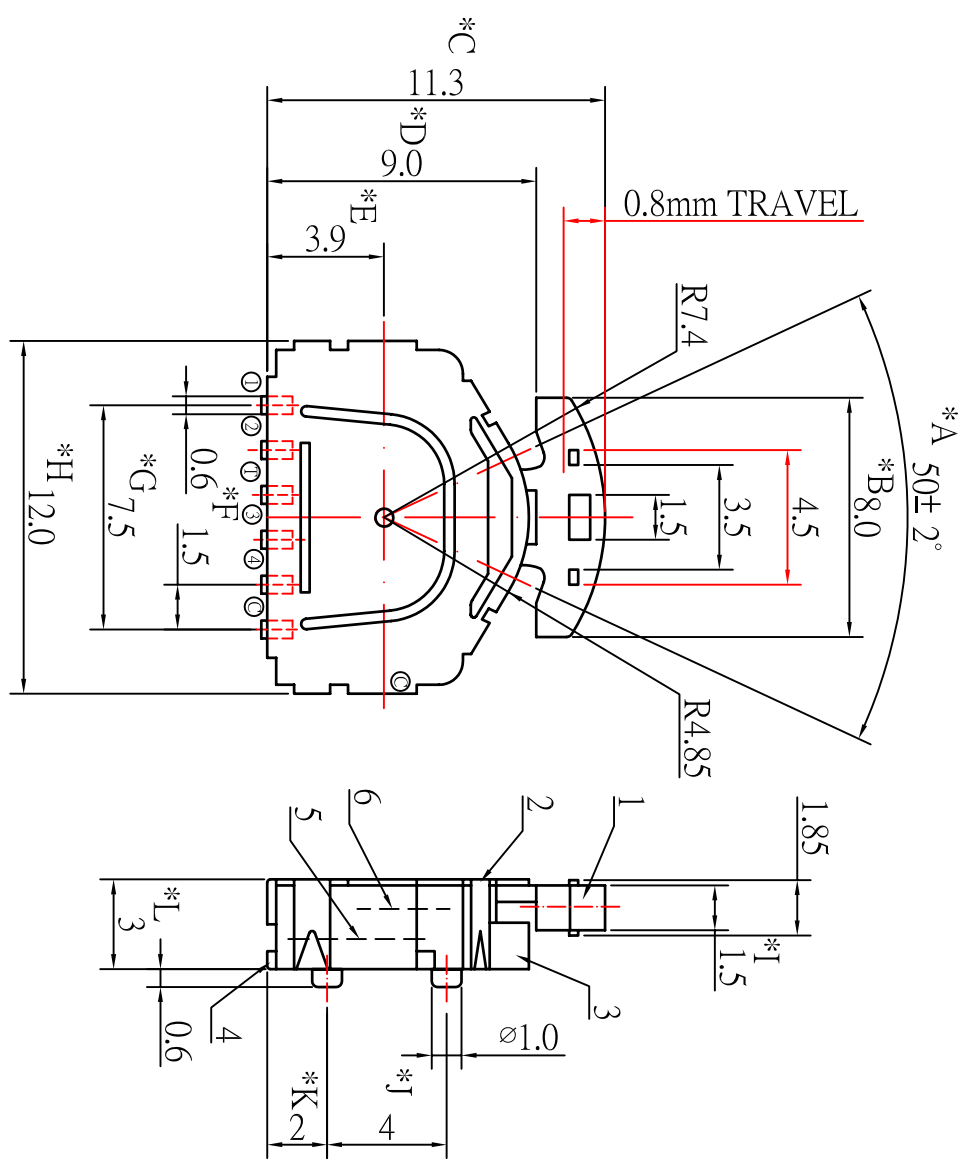
4

MOUNTING KNOB INTEGRATED TYPE CODE TABLE (ON)

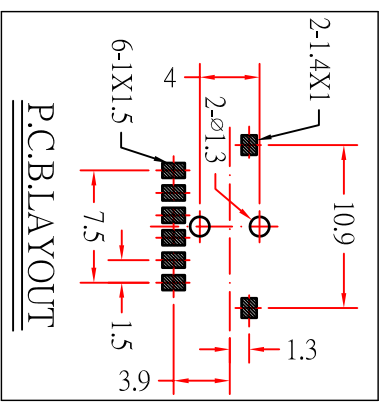
Terminal	Angle	25°	0°	25°
①	(21.5°)	(11)	(11)	(21.5°)
②		■		
③				
④				
⑤				
⑥				
⑦				
⑧				

A

A



SCHMATIC



* CRITICAL DIMENSION

CHI FUNG ELECTRONICS CO.,LTD.

SERIES : TACT SWITCH	DRAWING NO. : CF-ENJ-TS4205
PART NAME: TS-1503A	GENERAL TOLERANCE
UNIT : MM	WITHIN 0.XXmm±0.15mm
SCALE : 4 : 1	OVER 0.Xmm±0.25mm
REV : A/0	



NO.	PART NAME	MATERIAL	QTY	FINISHING
1	SPRING	STEEL WIRE	1	NATURAL
2	CONTACT	PBS	1	Ag COATING
3	TERMINAL	BRASS	8	Ag COATING
4	CASE	PA46	1	GREY
5	COVER	SUS	1	NATURAL
6	STEM	PA46	1	BLACK
7	PART NAME	MATERIAL	QTY	FINISHING

D

D

B

B

C

C

1

2

3

4