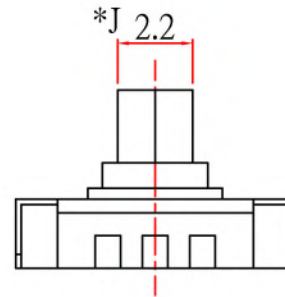
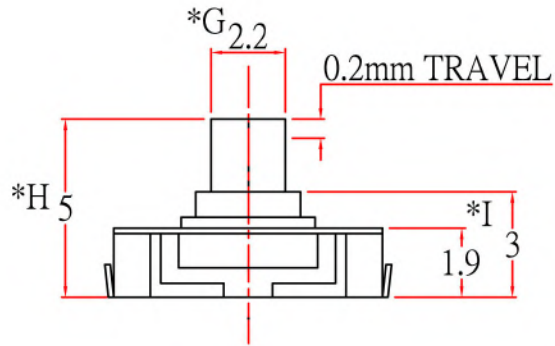


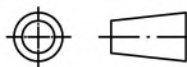
SCHEMATIC

CASE COLOR	WHITE
	BLACK



* CRITICAL DIMENSION

CHI FUNG ELECTRONICS CO.,LTD.



SERIES : TACT SWITCH		DRAWING NO: CF-ENL-TS4189	
PART NAME: TS-1600		GENERAL TOLERANCE	
UNIT : M M	DWN.	WITHIN 0.XXmm±0.15mm OVER 0.Xmm±0.25mm	
SCALE :5:1	CHK'D		
REV : A/0	APPD.		

7				
6	TERMINAL	PBS STRIP	6	Ag COATING
5	CASE	PA66	1	ABOVE
4	CONTACT	SUS	7	Ag CLAD
3	COVER	SUS	1	NATURAL
2	SLEEVE	PA66	1	BLACK
1	STEM	PA66	1	BLACK
NO.	PART NAME	MATERIAL	QTY	FINISHING