


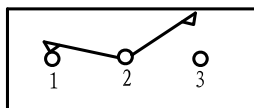


- * Product Name: Rocker Switch;
- * Model No: YSR-10-12
- * Voltage Resistance: 2000VAC, 1MIN;
- * Operating Temperature: T85 T105 T120
- * Electrical Life: more than 10,000cycles
- * Contact Rating: UL CUL: 3/6A 250/125VAC, 5/10A 250/125VAC 6.5/13A 250/125VAC
10/15A 250/125VAC, 16/20A 250/125VAC, 1/3HP 125VAC
VDE: 3 (1) A 250V ~ , 6 (2) A 250V ~ , 10 (4) A 250V ~

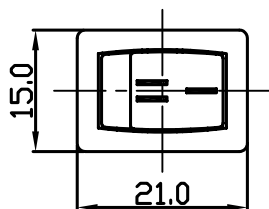
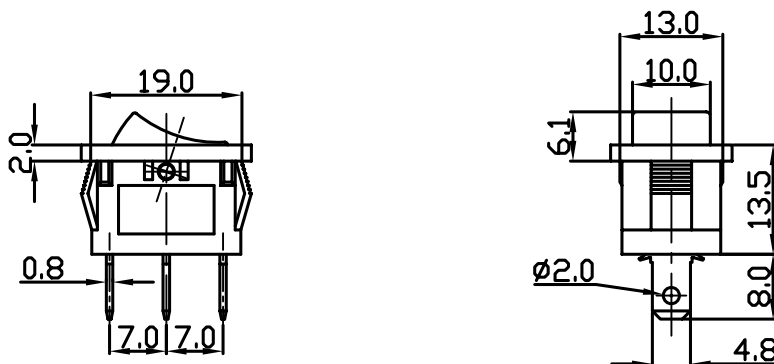


KNOB COLOR	BLACK; RED; GREEN; ORANGE; BLUE; ...
BASE COLOR	GRAY; BLACK; WHITE; ...
KNOB SHAPE	TYPE C: 
Unilluminate	YSR-10-12 1P2T 3P

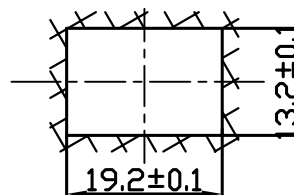
Wiring Diagram



YSR-10-12
0n-0n (Unilluminate)



Panel Installation Size



Panel Installation
Thickness 1 ~ 4mm