


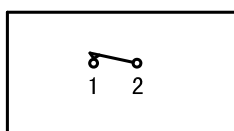


- \* Product Name: Rocker Switch;
- \* Model No: YSR-11-11(K)
- \* Voltage Resistance: 2000VAC, 1MIN;
- \* Operating Temperature: T85 T105
- \* Electrical Life: more than 10,000cycles
- \* Contact Rating: UL CUL: 3/6A 250/125VAC, 5/10A 250/125VAC  
6.5/13A 250/125VAC, 10/15A 250/125VAC  
15/20A 250/125VAC, 1/3HP 125VAC  
VDE: 3(1) A 250V ~, 6(2) A 250V ~  
10(4) A 250V ~

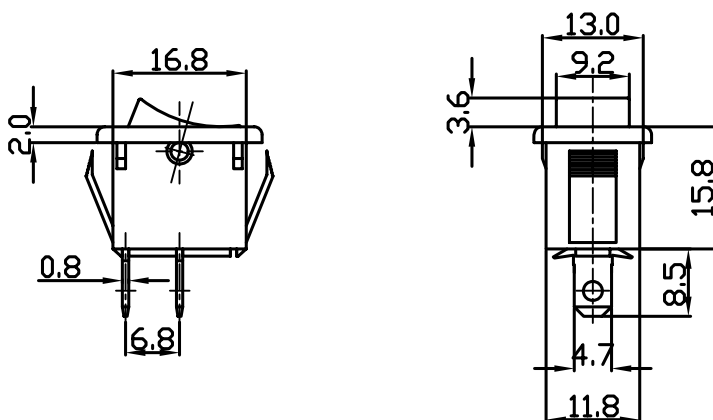


KNOB COLOR	BLACK; RED; GREEN; ORANGE; BLUE; ...
BASE COLOR	GRAY; BLACK; WHITE; ...
KNOB SHAPE	TYPE C: 
Unilluminate	YSR-11-11(K) 1P1T 2P

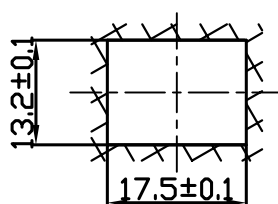
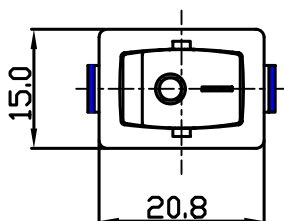
### Wiring Diagram



YSR-11-11 (K)  
On-Off (Unilluminate)



### Panel Installation Size



Panel Installation  
Thickness 1 ~ 4mm

Тел.: (495) 795-0805  
 Факс: (495) 545-0869  
 Эл. почта: info@rct.ru  
 Веб: www.rct.ru

**РАДИОТЕХ**