

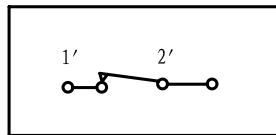


- \* Product Name: Rocker Switch;
- \* Model No: YSR-12 (B)
- \* Voltage Resistance: 2000VAC, 1MIN;
- \* Operating Temperature: T85 T105
- \* Electrical Life: more than 50,000cycles
- \* Contact Rating: UL, CUL:     3/6A  250/125VAC,  5/10A  250/125VAC  
                                   6.5/13A  250/125VAC,  10/15A  250/125VAC  
                                   16A  250/125VAC,  1/3HP  125VAC  
                                   VDE:  3 (1) A  250V ~,  6 (2) A  250V ~  
                                   10 (4) A  250V ~

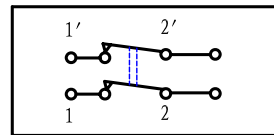


KNOB COLOR	BLACK; RED; GREEN; ORANGE; BLUE; ...
BASE COLOR	GRAY; BLACK; WHITE; ...
KNOB SHAPE	TYPE C:
Unilluminate	YSR-12-21 (B) 2P1T 4P, YSR-12-11 (B) 1P1T 2P

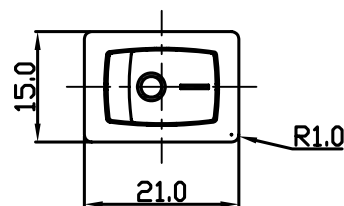
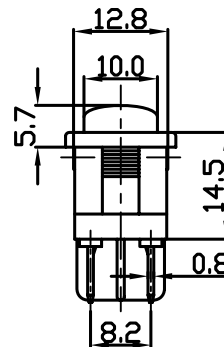
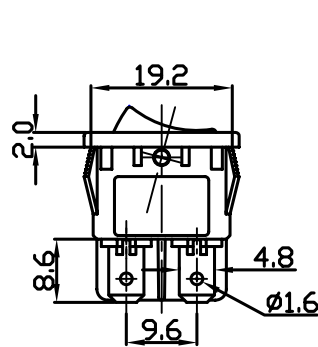
### Wiring Diagram



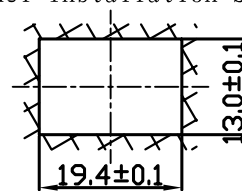
YSR-12-11 (B)  
On-Off (Unilluminate)



YSR-12-21 (B)  
On-Off (Unilluminate)



### Panel Installation Size



Panel Installation  
Thickness 1 ~ 4mm

Тел.: (495) 795-0805  
 Факс: (495) 545-0869  
 Эл. почта: info@rct.ru  
 Веб: www.rct.ru

**РАДИОТЕХ**