



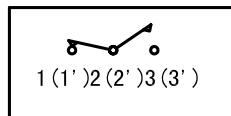


- * Product Name: Rocker Switch;
- * Model No: YSR-15 (-22, -23)
- * Voltage Resistance: 2000VAC, 1MIN;
- * Operating Temperature: T85
- * Electrical Life: more than 10, 000cycles
- * Contact Rating: UL CUL: 10/15A 250/125VAC, 16/20A 250/125VAC, 1/2HP 125VAC
VDE: 16A 250V ~



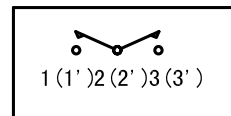
KNOB COLOR	BLACK; RED; GREEN; ORANGE; BLUE; ...
BASE COLOR	GRAY; BLACK; WHITE; ...
KNOB SHAPE	TYPE C:  TYPE D: 
Unilluminate	YSR-15-22 2P2T 6P, YSR-15-23 2P2T 6P

Wiring Diagram



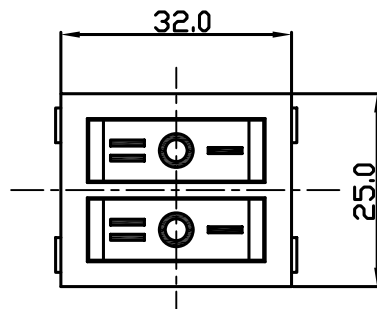
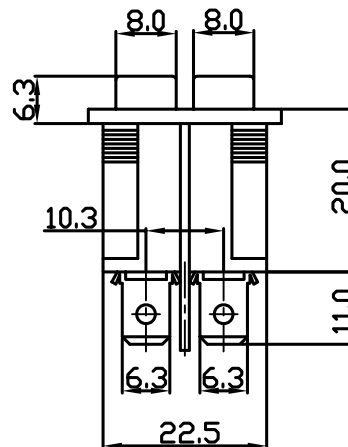
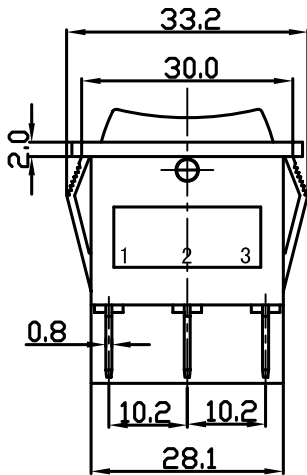
YSR-15-22

On-On (Unilluminate)

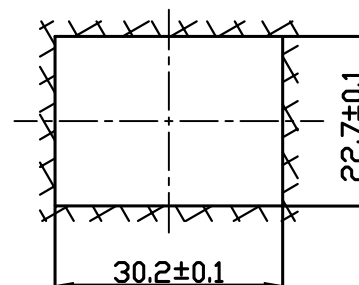


YSR-15-23

On-Off-On (Unilluminate)



Panel Installation Size



Panel Installation
Thickness 1 ~ 4mm