

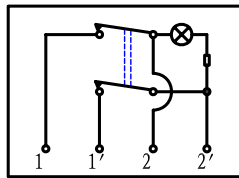
- * Product Name: Rocker Switch;
- * Model No: YSR-8-21 (B)
- * Voltage Resistance: 2000VAC, 1MIN;
- * Operating Temperature: T85
- * Electrical Life: more than 10,000cycles
- * Contact Rating: UL CUL: 10/15A 250/125VAC 16A 250/125VAC 1/2HP 125VAC



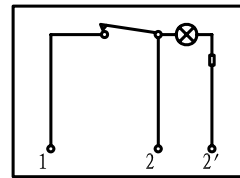
China, Korean Patent

KNOB COLOR	BLACK; RED; GREEN; ORANGE; BLUE; ...		
BASE COLOR	GRAY; BLACK; WHITE; ...		
KNOB SHAPE	TYPE C: TYPE E:		
Illuminate	YSR-8-21 (B) 2P1T 4P	Unilluminate	YSR-8-21 2P1T 4P
	YSR-8-11 (B) 1P1T 3P		YSR-8-11 1P1T 2P

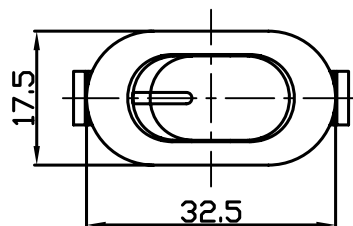
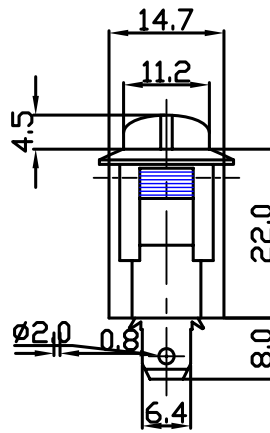
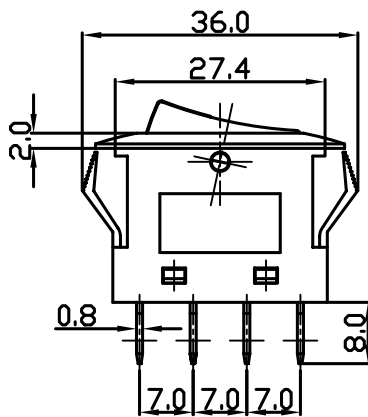
Wiring Diagram



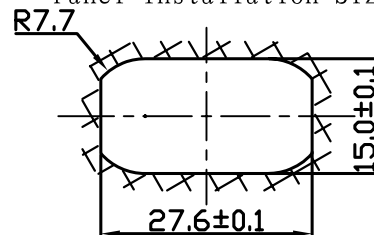
YSR-8-21 (B)
On-Off (Illuminate)



YSR-8-11 (B)
On-Off (Illuminate)



Panel Installation Size



Panel Installation
Thickness 1 ~ 4mm