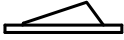
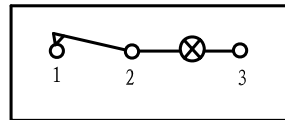




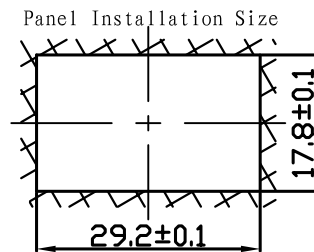
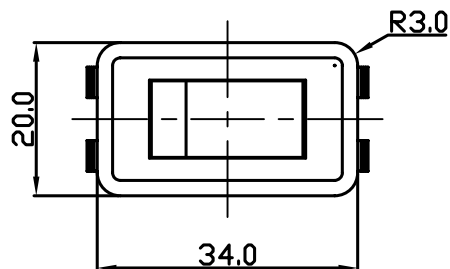
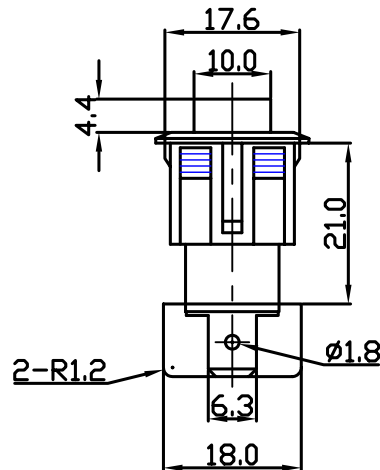
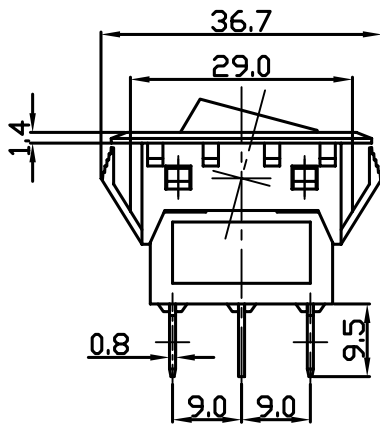
- * Product Name: Rocker Switch;
- * Model No: YSR-9-105
- * Voltage Resistance: 2000VAC, 1MIN;
- * Operating Temperature: T85
- * Electrical Life: more than 10,000cycles
- * Contact Rating: UL CUL: 16/20A 250/125VAC, 1HP 125VAC

KNOB COLOR	BLACK; RED; GREEN; ORANGE; BLUE; ...
BASE COLOR	GRAY; BLACK; WHITE; ...
KNOB SHAPE	TYPE A: 
Illuminate	YSR-9-105 1P1T 3P

Wiring Diagram



YSR-9-105
On-Off (Illuminate)



Panel Installation
Thickness 0.8 ~ 2mm