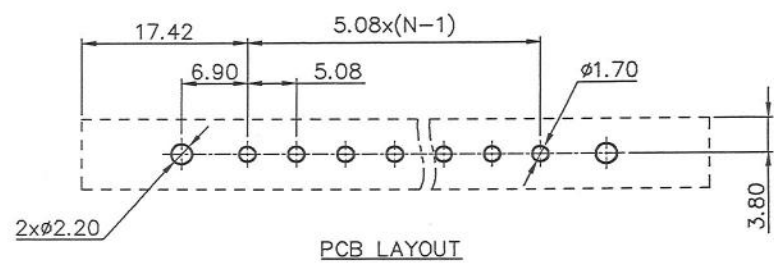
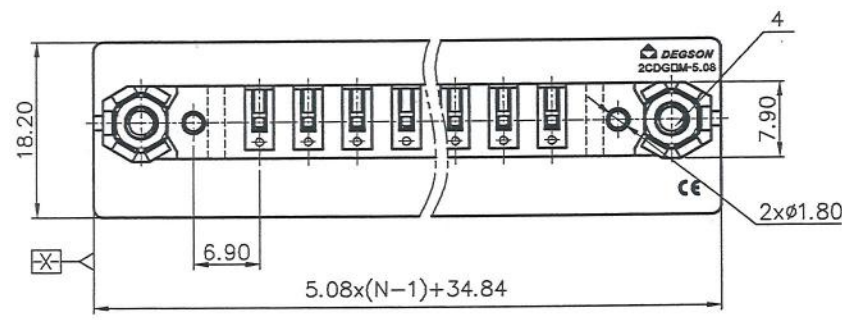
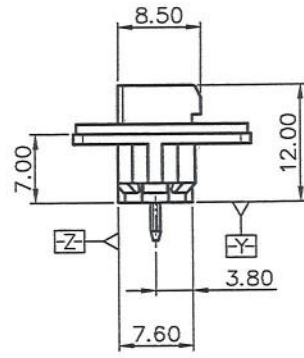
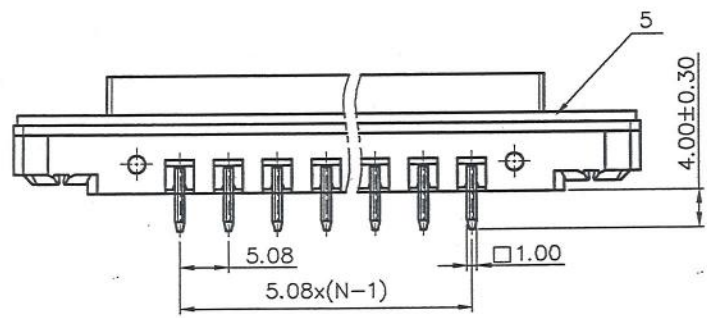
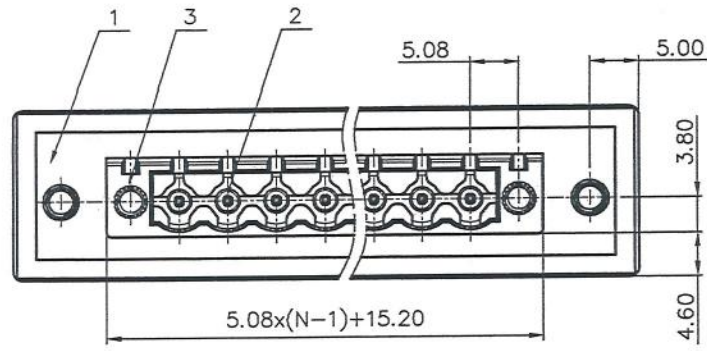


REVISION RECORD				
REV	ECN	DESCRIPTION	DRFT	DATE



NOTES1:  
UL Standard  
1.Rated voltage/current : 300V / 15A  
2.Withstanding voltage : AC1600V/1Min.

IEC Standard

1. Pollution degree	2	2	3
Overvoltage category	II	III	III
Rate impulse voltage(KV)	4.0KV	4.0KV	4.0KV
Rate voltage(V)	400V	320V	250V
Rate current(A)	12A		

NOTES2:  
1.Dimension shall be interpreted per ASME Y14.5-2009  
2.Pitch : 5.08mm, Poles : N=02~22P  
3.Operating temperature: -40°C~+105°C  
4.Undimensioned tolerances:

Pitch range in mm	Nominal dimension range in mm						D
	Over 6 TO 6	Over 10 TO 10	Over 15 TO 15	Over 20 TO 20	Over 30 TO 30	Over 60 TO 60	
±0.15	±0.20	±0.30	±0.30	±0.50	±0.70	±1.00	±1.30

5.RoHS Compliance



ITEM	NAME OF PART	MATERIAL	NOTES
5	Dust mat	EVA	UL94V-0
4	Nut 2	Steel	M3/Zn Plated
3	Nut 1	Copper alloy	M2.5
2	Pin	Copper alloy	Sn Plated
1	Housing	PA66	UL94V-0

PART NO.: /	宁波高松电子有限公司 NINGBO DEGSON ELECTRICAL CO., LTD		
	APPD: <i>Apr 2017/10/27</i> CHKD: <i>Jan 2 2017/10/19</i> DRFT: LYP 08/22/16"	NAME: 2CDGVM-5.08-XXP-1Y-100A(H)	
	TITLE: CUSTOMER DRAWING	REV	TO
	DRAWING NO.: 2CDGVM-5.08-CO2	SHEET	1/1
THIRD ANGLE PROJECTION	DO NOT SCALE DRAWING	SCALE	1:1

H  
G  
F  
E  
D  
C  
B  
A

H  
G  
F  
E  
D  
C  
B  
A