

REVISION RECORD				
REV	ECN	DESCRIPTION	DRFT	DATE
△	17-0062	Design Modify	Xin	2017.04.08

H

G

F

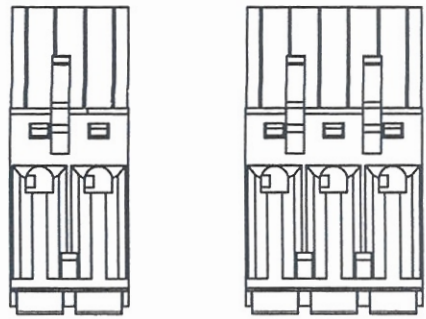
E

D

C

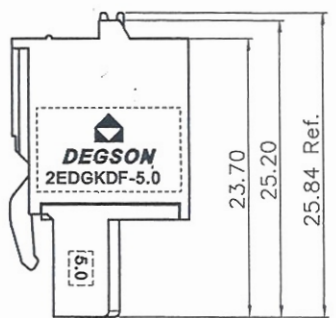
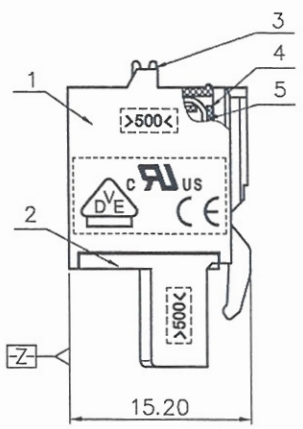
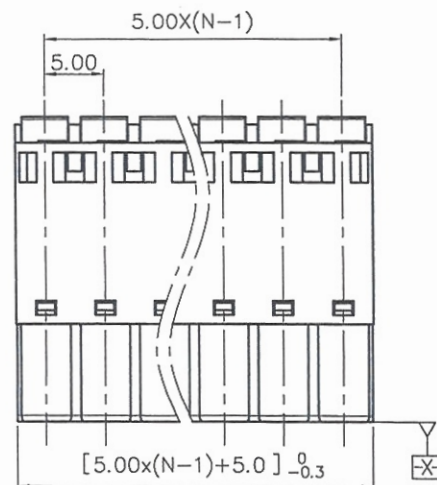
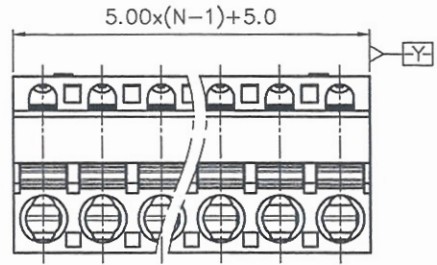
B

A



02P

03P



NOTES1:

- UL Standard
 1. Rated voltage/current : 300V / 10A
 2. Withstanding voltage : AC1600V/1Min.
 3. Wire range : 26~12AWG

IEC Standard

1. Pollution degree	2
Overvoltage category	III
Rate impulse voltage(KV)	4.0KV
Rate voltage(V)	320V
Rate current(A)	20A

2. Wire range : 0.2~2.5mm²

NOTES2:

1. Dimension shall be interpreted per ASME Y14.5-2009
 2. Pitch : 5.00mm, Poles : N=02~24P
 3. Stripping length : 9~10mm
 4. Operating temperature: -40°C~+105°C
 5. Undimensioned tolerances:

Pitch Range In mm		Nominal Dimension Range In mm				-	∩	∇	
TO	Over TO	Over TO	Over TO	Over TO	Over TO	0.1/10			
6	TO 10	10	TO 24	30	TO 60	60	TO 100	100	TO 150
±0.15	±0.20	±0.30	±0.30	±0.50	±0.70	±1.00	±1.30	±2"	

6. RoHS Compliance

2EDGKDF - 5.0 - XXP - 1Y - 500A (H)
 (Series No.)(Pitch)(Poles)(Single Pitch)(Color)
 (RoHS)
 500A-(Customer Request)
 1.(Grey) 5.(Orange)
 2.(Blue) 6.(Red)
 3.(Black) 7.(Transparent)
 4.(Green) 8.(Yellow)
 9.(White)

ITEM	NAME OF PART	MATERIAL	NOTES
5	Spring	Stainless Steel	
4	Clamp	Copper alloy	Sn Plated
3	Button	PA66	UL94V-0
2	Cover	PA66	UL94V-0
1	Housing	PA66	UL94V-0

PART NO.: /		宁波高松电子有限公司 NINGBO DEGSON ELECTRICAL CO.,LTD		
APPD: Apr 2017. 4.11	CHKD: 2017. 6. 11	NAME: 2EDGKDF-5.0-XXP-1Y-500A(H)		
DRFT: MEK 10/08/15"		TITLE: CUSTOMER DRAWING	REV: T1	
DRAWING NO.: 2EDGKDF-5.0-C07		SHEET: 1/1		