

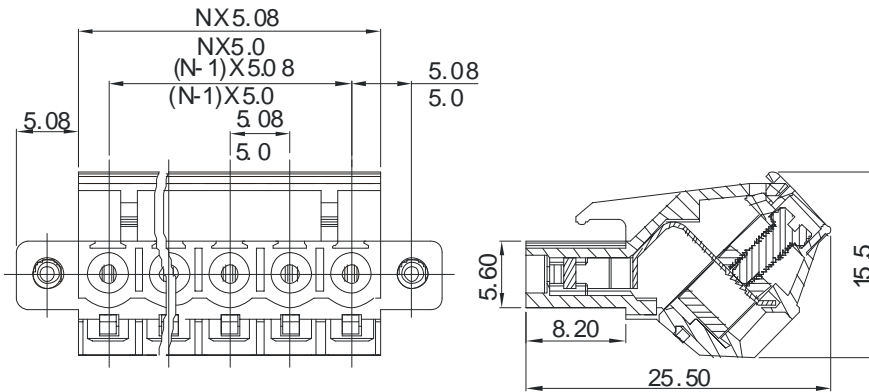


DEGSON ELECTRONICS CO., LTD.

Product Specification

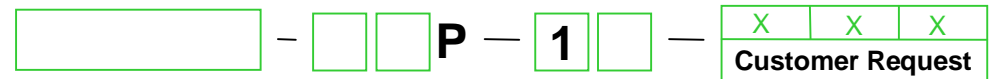


2EDGKLM-5.0
2EDGKLM-5.08



| | | |
|----------------------|---------------------------------------|--------------------|
| APPROVAL | | |
| Electrical | | |
| Standard | UL | IEC |
| Rated voltage | 300V | 320V |
| Rated current | 10A | 20A |
| Wire range | 24-12AWG | 2.5mm ² |
| Withstanding voltage | AC2500V/1Min | |
| Mechanical | | |
| Torque | 0.4Nm(3.5Lb-In) | |
| Ambient temperature | -40°C~+105 °C | |
| Strip length | 7mm | |
| Dimensions | | |
| Pitch | 5.0mm(.197") 5.08mm(.200") | |
| Poles | 2P-22P | |
| Material | | |
| Housing | PA66,UL94 V-0 | |
| Screws | M2.5,Steel,Cr ³⁺ Zn-plated | |
| Contact | Phosphor bronze | |
| Cage | Brass,Ni-plated | |

HOW TO ORDER :



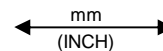
Series number

No. of pole

| | |
|---|--------------|
| 1 | Single pitch |
| 2 | Double pitch |

Color

| | | | | | |
|---|-------|---|--------|---|--------------|
| 1 | Grey | 4 | Green | 7 | Trans Parent |
| 2 | Blue | 5 | Orange | 8 | Yellow |
| 3 | Black | 6 | Red | 9 | White |



DEGSON ELECTRONICS CO., LTD.

NAME

2EDGKLM-5.0 2EDGKLM-5.08