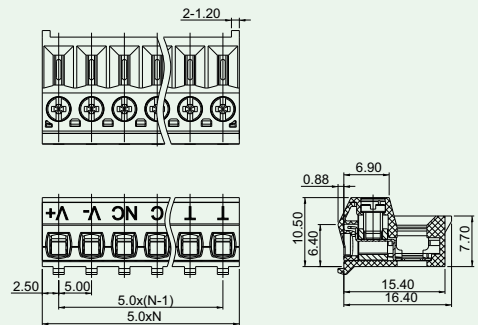


2EDGKQ-5.0

- 插拔式结构，操作方便；
- 铜方块结构，保证扭力5.1kgf.cm；
- 印字面宽，方便标示。
- Pluggable structure, it is convenient to operate;
- Brass cage structure, 5.1kgf.cm of torque value;
- Wide printing face, it is convenient for mark.



技术参数 Technical Data

APPROVAL: CE

型号 Model	线径 Wire range	线数 Poles	IEC61984技术参数(IEC61984 datasheet)		UL1059技术参数(UL1059 datasheet)	
			电压(V) Rated voltage	电流(A) Rated current	电压(V) Rated voltage	电流(A) Rated current
2EDGKQ-5.0	0.2-2.5mm ² /28-14AWG	02-16P	250	24	300	10

应用行业 Application

安防等行业。
security etc.



产品匹配 Counterparts

	DG332J-5.0	DG332JR-5.0
2EDGKQ-5.0	●	●

型号对照 Cross Reference

DEGSON	同行1/ Competitor1	同行2/ Competitor2
2EDGKQ-5.0	PT1.5/X-PH-5.0	—

产品包装方式 Packing

Product model	Pcs./Pkt.
2EDGKQ-5.0-02P	50
2EDGKQ-5.0-03P	50
2EDGKQ-5.0-04P	50
2EDGKQ-5.0-05P	50
2EDGKQ-5.0-06P	50
2EDGKQ-5.0-07P	50

Product model	Pcs./Pkt.
2EDGKQ-5.0-08P	50
2EDGKQ-5.0-09P	50
2EDGKQ-5.0-10P	50
2EDGKQ-5.0-11P	50
2EDGKQ-5.0-12P	50

产品订货 How to order

