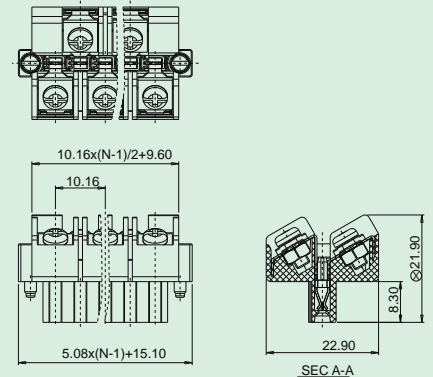


2EDGKUM-5.08

- One item with both pluggable and barrier technology;
- Mating with mating with OT/DT terminal.



Technical data

 APPROVAL: 

Model	Wire range (AWG/mm ²)	Poles	IEC61984 data sheet		UL1059 data sheet	
			Rated voltage(V)	Rated current(A)	Rated voltage(V)	Rated current(A)
2EDGKUM-5.08	22-16/0.5-1.5	02-24P	160	6	300	6

Application

Industrial automation, instrument, elevator, new energy, electric power etc.

Cross reference

DEGSON	Competitor1	Competitor2
2EDGKUM-5.08	-	-

Packing

Product model	Pcs./Pkt.	Product model	Pcs./Pkt.
2EDGKUM-5.08-02P	50	2EDGKUM-5.08-08P	50
2EDGKUM-5.08-03P	50	2EDGKUM-5.08-09P	50
2EDGKUM-5.08-04P	50	2EDGKUM-5.08-10P	50
2EDGKUM-5.08-05P	50	2EDGKUM-5.08-11P	50
2EDGKUM-5.08-06P	50	2EDGKUM-5.08-12P	50
2EDGKUM-5.08-07P	50		

How to order

2EDGKUM-5.08	X	X	P	1	Y	0	0	A(H)
Series NO.	NO. of pole					Standard		
	1	2	3			Black	PANTONE 419C	DEGSON 03
	Single pitch	Double pitch						