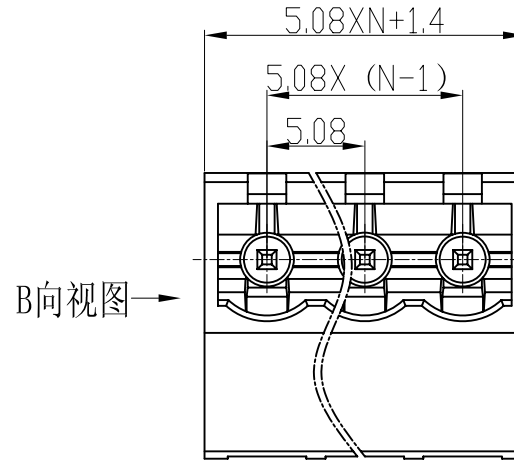
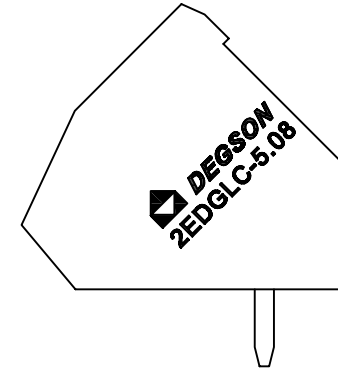


REVISION RECORD				
REV	ECN	DESCRIPTION	DRFT	DATE
△		增加LL, CE刻字	Zengy	11/28/08
△	10-0368	增加VDE刻字及参数	ZXX	11/10/10



Notes:

1. Pitch: 5.08mm , Poles: 2-24P
2. Rated voltage/current: UL 300V/15A
VDE 320V/20A
3. Operation temperatures: -40°C ~ +105°C
4. Withstanding Voltage: AC2000V/1Min
5. Insulation Resistance: 5000MΩ / DC1000V
6. Undimensioned Tolerances:

Pitch range in mm			Nominal dimension range in mm					
to	over	over	to	over	over	over	over	
6	6	10	30	60	100	150		
±0.10	±0.15	±0.25	±0.2	±0.3	±0.5	±0.7	±1.0	0.05/10

2	2EDGL-Pin	1181B00010 (H)	XX	Brass	SnCe
1	2EDGLC-5.08-Housing	1183A0YXXA (H)	1	PA66	UL94V-0
ITEM	NAME OF PART	NO. OF PART	Q"TY	MATERIAL	NOTES
TOLERANCES EXCEPT AS NOTED		DATE 08/31/07	宁波高正电子有限公司 DEGSON ELECTRONICS CO., LTD		
MM (INCH)		CHKD DATE	NAME 2EDGLC-5.08-XXP-1Y-00A(H)		
TOLERANCES EXCEPT AS NOTED		MFD DATE			
MM		APPVL DATE	DRAWING NO. 2EDGLC-5.08-E01		
.0 ±			/PART NO.		
.00 ±			SIZE A3		
.000 ±			REV T2 11/10/10		
ANGLES ± 1°		G.E :		DO NOT SCALE DRAWING	
THIRD ANGLE PROJECTION		FINISH:		SHEET 1 OF 1	
		SCALE :			