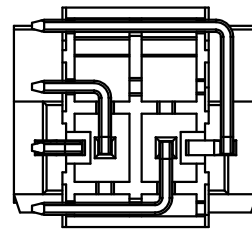
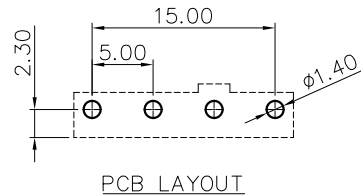
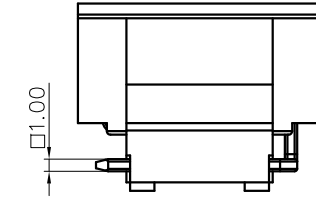
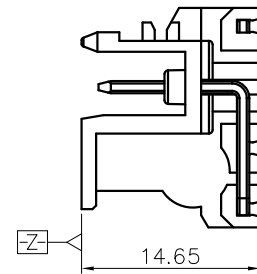
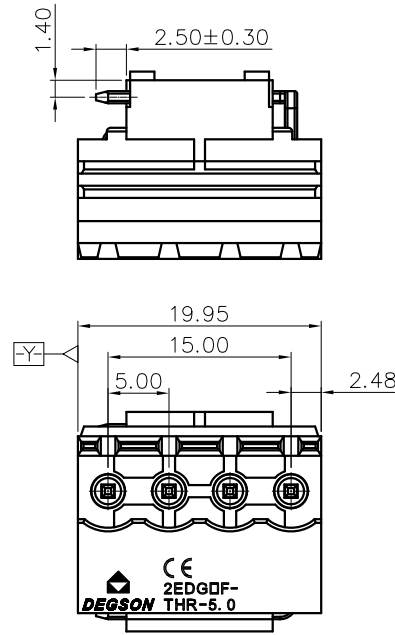
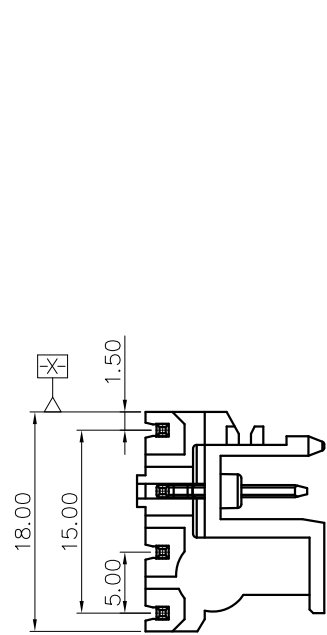


REVISION RECORD

REV	ECN	DESCRIPTION	DRFT	DATE
-----	-----	-------------	------	------



NOTES1:

UL Standard

- 1.Rated voltage/current : 300V / 15A
- 2.Withstanding voltage : AC1600V/1Min.

IEC Standard

1. Pollution degree	2	2	3
Overvoltage category	II	III	III
Rate impulse voltage(KV)	4.0KV	4.0KV	4.0KV
Rate voltage(V)	400V	320V	250V
Rate current(A)	20A		

NOTES2:

- 1.Dimension shall be interpreted per ASME Y14.5-2009
- 2.Pitch : 5.0mm, Poles : 04P
- 3.Operating temperature: -40°C~+120°C
- 4.Undimensioned tolerances:

Pitch range in mm		Nominal dimension range in mm					-	∩	∇
To	Over	To	Over	To	Over	To	Over	To	
6	10	6	30	60	100	150		0.1/10	
10	24	30	60	100	150			<	
±0.15	±0.20	±0.30	±0.30	±0.50	±0.70	±1.00	±1.30	±2'	

5.RoHS Compliance

2EDGLF - THR - 5.0 - 04P - 1Y - 00A (H)

(Series No.) (Pitch) (Poles) (Single Pitch) (Color):3.(Black) 5.(Orange)

(Through holes Reflow) (RoHS) 00A-(Standard)

DETACHED LISTS	PART NO.:	/			宁波高松电子有限公司 NINGBO DEGSON ELECTRICAL CO., LTD	
	APPD:	/				NAME:
	CHKD:	/			2EDGLF-THR-5.0-04P-1Y-00A(H)	
	DRFT:	/			TITLE: CUSTOMER DRAWING	REV: D0
THIRD ANGLE PROJECTION		DRAWING NO.:		SHEET: 1/1		
		MM (INCH)		DO NOT SCALE DRAWING	SCALE: 1:1	