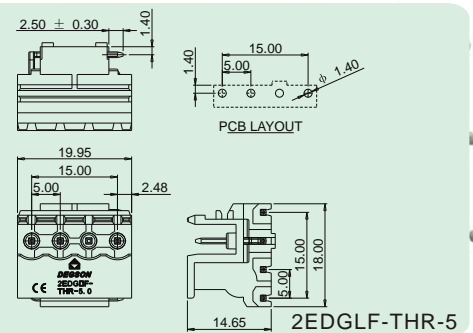
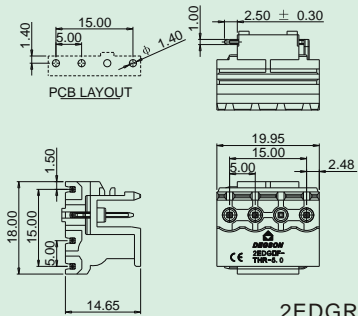


2EDGRF/LF-THR-5.0

- Socket for THR process;
- Tape and reel package, increase efficiency, suitable for automatic assembly.



Technical data

 APPROVAL: **CE**

Model	Wire range (AWG/mm ²)	Poles	IEC61984 data sheet		UL1059 data sheet	
			Rated voltage(V)	Rated current(A)	Rated voltage(V)	Rated current(A)
2EDGRF/LF-THR	-	04P	320	20	300	15

Application

Industrial automation, electric power, instrument etc.



Packing

Product model	Pcs./Pkt.
2EDGRF/LF-THR-5.0	100

Cross reference

DEGSON	Competitor1	Competitor2
2EDGRF/LF-THR	FRONT 4-V-7.62	-

How to order

2EDGRF/LF-THR	X	X	P	1	Y	0	0	A(H)
Series NO.	NO. of pole					Standard		
	1	2	3			1 Single pitch 2 Double pitch 3 Black PANTONE 419C DEGSON 03		