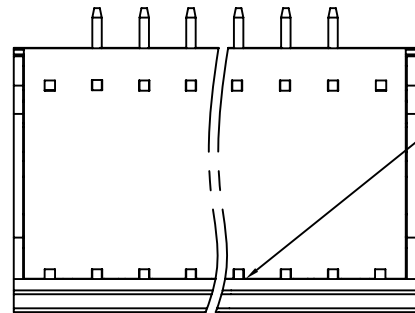
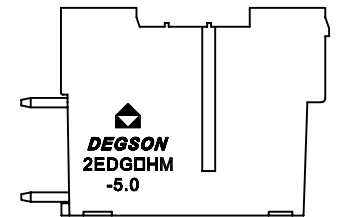
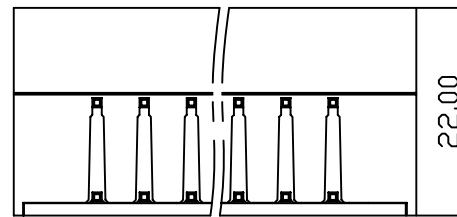
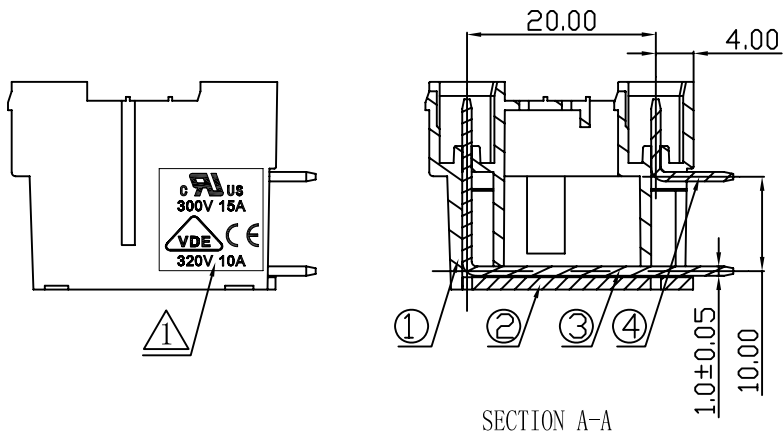
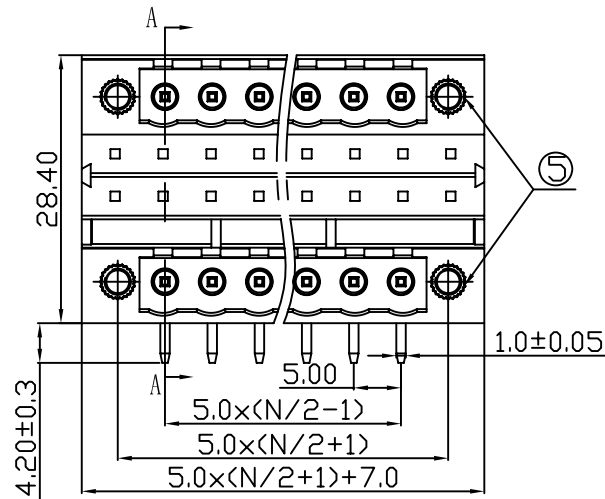


REVISION RECORD				
REV	ECD	DESCRIPTION	DRFT	DATE
△		修改刻字	Zengy	12/09/08



注：盖与座需超音波焊接

Notes:

1. Pitch: 5.0mm, Poles: 4-48P
3. Rated voltage/current: UL 300V 15A
VDE 320V 10A
4. Operation temperatures: -40°C ~ +105°C
5. Withstanding Voltage: AC2000V/1min
6. Insulation Resistance: 5000MΩ/DC1000V
7. Undimensioned Tolerances:

Pitch range in mm		Nominal dimension range in mm					
to	over	to	to	to	to	to	
6	6 to 10	10 to 24	30 to 60	60 to 100	100 to 150	150	∩
±0.10	±0.15	±0.25	±0.2	±0.3	±0.5	±0.7	±1.0
							0.05/0.10

5	2EDGRH Screw	S000000040 (H)	4	Brass	
4	2EDGRH Pin header (short)	1061B00030 (H)	XX/2	Brass	SnCe
3	2EDGRH Pin header (long)	1061B00010 (H)	XX/2	Brass	SnCe
2	2EDGRH-5.0 Cover	1061C0Y (XX+4) A (H)	1	PA66	UL94V-0

ITEM	NAME OF PART	NO. OF PART	Q'TY	MATERIAL	NOTES
1	2EDGR(V)HM-5.0 Housing	1076A0YXXA (H)	1	PA66	UL94V-0

TOLERANCES EXCEPT AS NOTED		DFTD ZYH		DATE 10/25/08	
MM	∓	CHKD	DATE		
.0	∓	MFD	DATE		
.00	∓	APPVL	DATE		
.000	∓	MATERIAL :			
ANGLES ± 1°		G.E :			
THIRD ANGLE PROJECTION		FINISH:			
		SCALE : 1:1			

宁波高正电子有限公司 DEGSON ELECTRONICS CO., LTD		NAME	
		2EDGRHM-5.0-XXP-1Y-00A(H)	
DRAWING NO. 2EDGRHM-5.0-E01		SIZE	REV
/PART NO.		A4	T1
DO NOT SCALE DRAWING		12/09/08	
SHEET 1		OF 1	