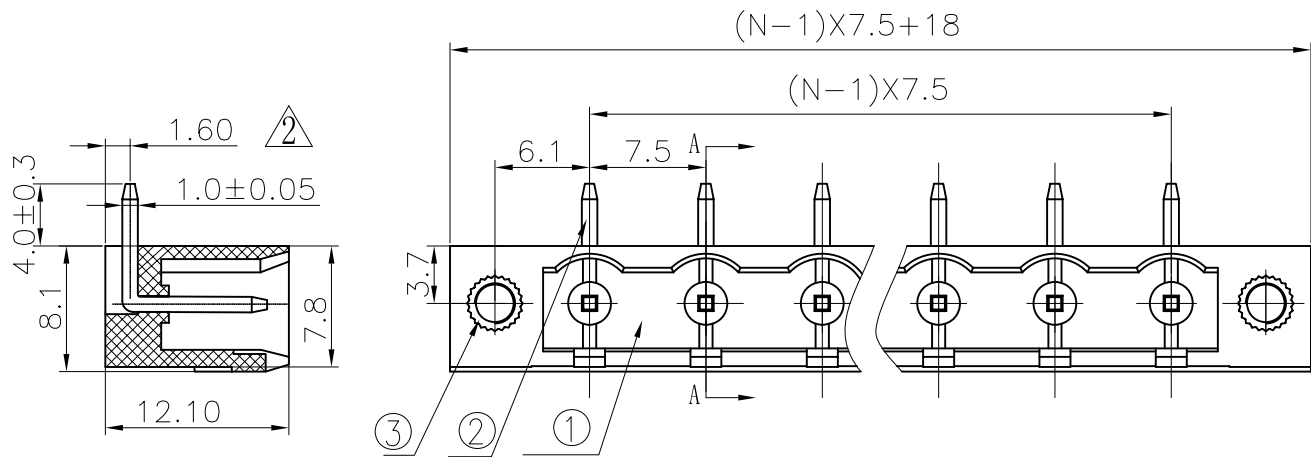
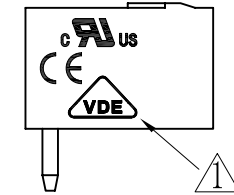
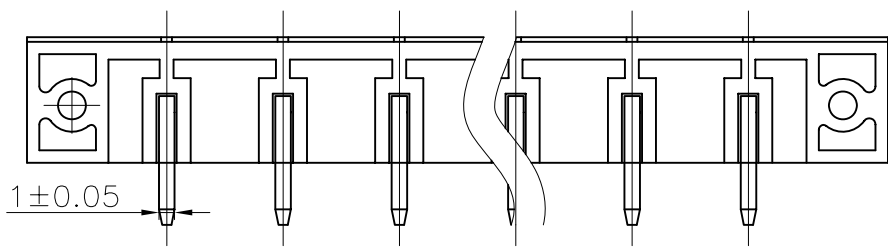
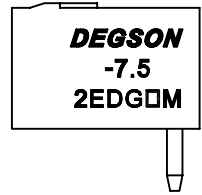


REVISION RECORD				
REV	ECO	DESCRIPTION	DRFT	DATE
△		增加VDE、CE刻字	YeJ	02/29/08*
△		更新图面	LJH	04/16/08*



- Notes:
1. Pitch: 7.5mm , Poles: 2-22P
  2. Rated voltage/current: UL 300V/15A  
VDE 400V/20A
  3. Operation temperatures: -40°C ~ +105°C
  4. Withstanding Voltage: AC2000V/1Min
  5. Insulation Resistance: 5000MΩ / DC1000V
  6. Undimensioned Tolerances:

Pitch range in mm		Nominal dimension range in mm						
to 6	over 6 to 10	over 10 to 24	to 30	over 30 to 60	over 60 to 100	over 100 to 150	over 150	∩ □
±0.10	±0.15	±0.25	±0.2	±0.3	±0.5	±0.7	±1.0	0.05/10



3	2EDGR (A) -Pin header (1*8.25*8.7)	1008B00040 (H)	XX	Brass	SnCe
2	2EDG-Screw cap	S000000040 (H)	2	Brass	

1	2EDGRM-7.5-Housing	1058A0YXXA (H)	1	PA66	UL94V-0	
ITEM	NAME OF PART	NO. OF PART	Q"TY	MATERIAL	NOTES	
DETACHED LISTS	MM (INCH)	DFTO Yangys	DATE 06/16/06*	宁波高正电子有限公司 DEGSON ELECTRONICS CO., LTD NAME 2EDGRM-7.5-XXP-1Y-00A (H) DRAWING NO. 2EDGRM-7.5-E01 /PART NO.		
	TOLERANCES EXCEPT AS NOTED		CHKD			DATE
			MFO			DATE
			APPVL			DATE
			MATERIAL :			
ANGLES ± 1°		G.E :		SIZE A3		
THIRD ANGLE PROJECTION		FINISH :		REV T2		
		SCALE :		DO NOT SCALE DRAWING		
				SHEET 1 OF 1		