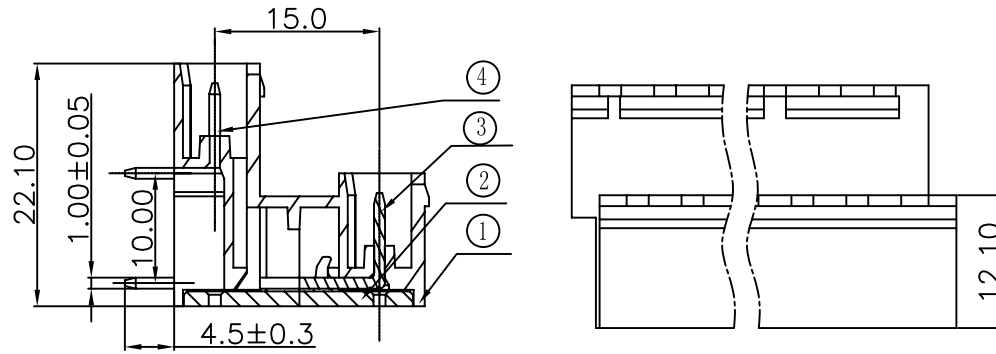


REVISION RECORD					
REV	ECO	DESCRIPTION	DRFT	DATE	
△		品名、料号增加环保标示(H)	LJH	12/11/07	
△		增加VDE刻字	Zengy	11/12/08	

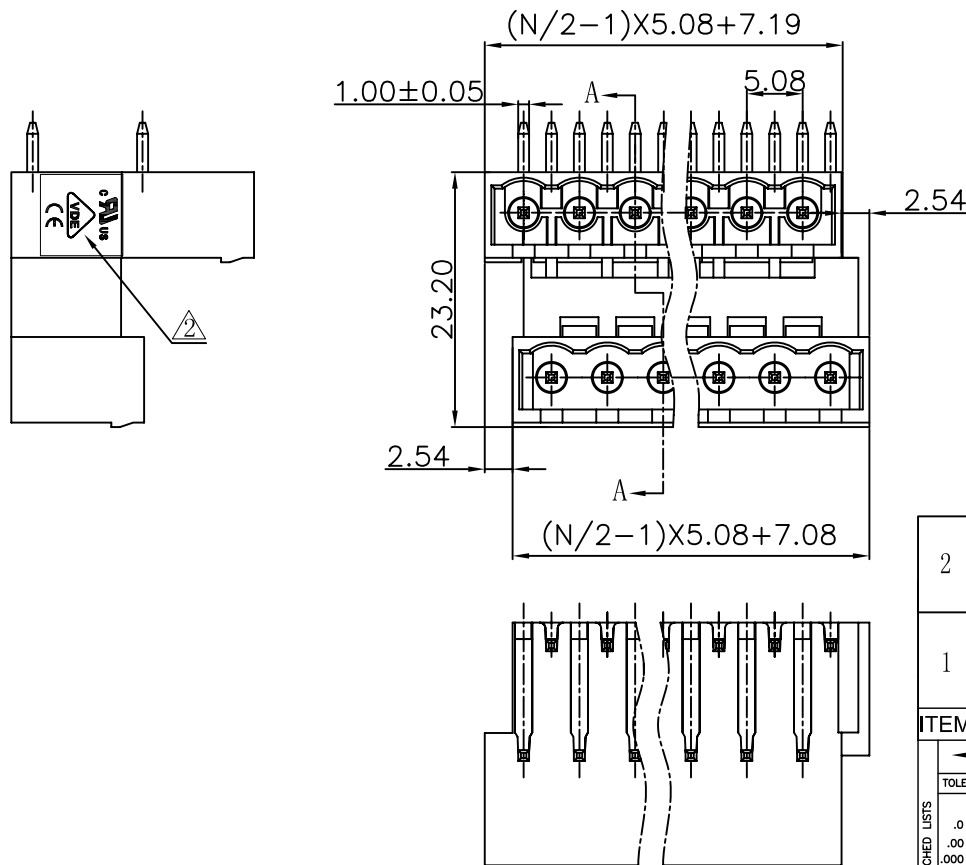
Notes:

- Pitch:5.08mm ,Poles: One-block for 4-24P
Inter locking for 24-48P
- Rated voltage/current:UL 300V/15A
VDE 320V/10A
- Operation temperatures:-40℃~+105℃
- Withstanding Voltage:AC2000V/1Min
- Insulation Resistance:5000MΩ/DC1000V
- Undimensioned Tolerances:

Pitch range in mm		Nominal dimension range in mm						
	over 6	over 10	over 30	over 60	over 100	over 150	∩	
to 6	to 10	to 24	to 30	to 60	to 100	to 150	∇	
	±0.10	±0.15	±0.25	±0.2	±0.3	±0.5	±1.0	0.05/10



SECTION A-A



ITEM	NAME OF PART	NO. OF PART	Q'TY	MATERIAL	NOTES
2	2EDGRT-5.08-Cover	1056COY ($\frac{N}{2} & \frac{N}{2} + 1$) A (H)	1	PA66	>24P
	2EDGRT-5.08-Cover	1056COY ($\frac{N}{2} & \frac{N}{2} - 1$) A (H)	1	PA66	
	2EDGRT-5.08 cover	1056COYXXA (H)	1	PA66	≤24P
1	2EDGRTC-5.08 housing (Right foot)	1073AOY ($\frac{N}{2} & \frac{N}{2} + 1$) C (H)	1	PA66	>24P
	2EDGRTC-5.08 housing (Left foot)	1073AOY ($\frac{N}{2} & \frac{N}{2} - 1$) B (H)	1	PA66	
	2EDGRTC-5.08 Housing	1073AOYXXA (H)	1	PA66	≤24P

DETACHED LISTS	MM (INCH)	DFTO Yangys	DATE 06/21/06*	宁波高正电子有限公司 DEGSON ELECTRONICS CO., LTD	
	TOLERANCES EXCEPT AS NOTED	CHKD	DATE		
		MFO	DATE		
		APPVL	DATE		
	MM	±	MATERIAL :	NAME	
	.0 ±	±		2EDGRTC-5.08-XXP-1Y-00A(H)	
	.00 ±	±		DRAWING NO. 2EDGRTC-5.08-E01	SIZE A3
	.000 ±	±		/PART NO.	REV T2 11/12/08*
	ANGLES ± 1°	G.E :		DO NOT SCALE DRAWING	SHEET 1 OF 1
	THIRD ANGLE PROJECTION	FINISH :			

4	2EDGRH-Short pin	1061B00030 (H)	XX/2	Brass	SnCe
3	2EDGRT-Long pin	1032B00020 (H)	XX/2	Brass	SnCe