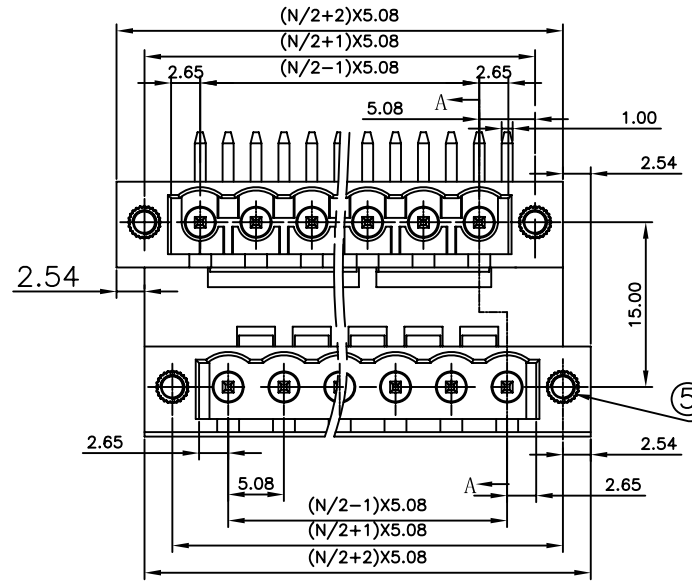


REVISION RECORD					
REV	ECO	DESCRIPTION	DRFT	DATE	
△		品名、料号增加环保标示“(H)”	LJH	12/11/07	
△		增加VDE刻字	Zengy	08/30/10	
△	10-0306	根据实物更新图面	Golden	09/20/10	

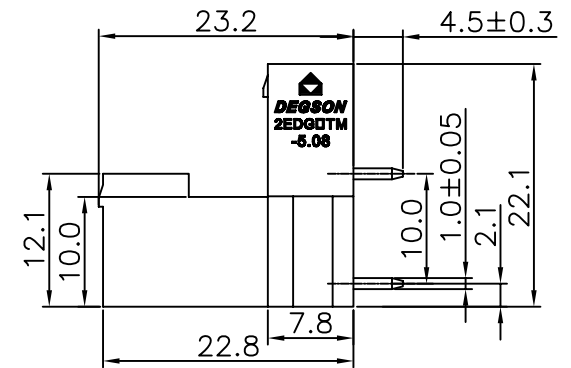
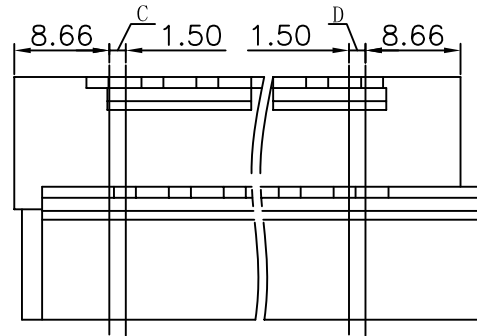
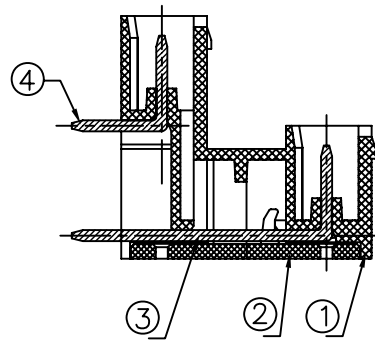
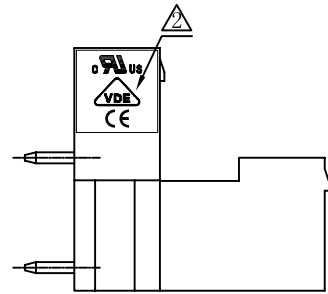
Notes:

- Pitch:5.08mm ,Poles: One-block for 4-24P
Inter locking for 24-48P
- Rated voltage/current:UL 300V/15A
VDE 320V/10A
- Operation temperatures:-40°C ~+105°C
- Withstanding Voltage:AC2000V/1Min
- Insulation Resistance:5000MΩ /DC1000V
- Undimensioned Tolerances:

Pitch range in mm			Nominal dimension range in mm					—
to	over	over	to	over	over	over	over	∩
6	6	10	30	30	60	100	150	□
	to	to	to	to	to	to		
	10	24	30	60	100	150		
±0.10	±0.15	±0.25	±0.2	±0.3	±0.5	±0.7	±1.0	0.05/10



注:C D两处与插头卡勾相配合必须要有凸台,其余凹槽凸台均不作管控。
(The C and D section must match the contact point with bump.
The rest of groove and bulge are undefined.)



5	2EDG Nut	S000000040 (H)	4	Brass	
4	2EDGRH-short pin	1061B00030 (H)	XX/2	Brass	SnCe
3	2EDGRT-long pin	1032B00020 (H)	XX/2	Brass	SnCe
2	2EDGRT-5.08-Cover	1056C0Y (N/2 & N/2 +1) A (H)	1	PA66	>24P
	2EDGRT-5.08-Cover	1056C0Y (N/2 & N/2 -1) A (H)	1	PA66	
	2EDGRT-5.08-Cover	1056C0YXXA (H)	1	PA66	≤24P

1	2EDGRTM-5.08 housing (Right foot)	1075A1Y (N/2 & N/2 +1) C (H)	1	PA66	>24P
	2EDGRTM-5.08 housing (Left foot)	1075A1Y (N/2 & N/2 -1) B (H)	1	PA66	
	2EDGRTM-5.0 housing	1075A1YXXA (H)	1	PA66	≤24P
ITEM	NAME OF PART	NO. OF PART	Q'TY	MATERIAL	NOTES
DETTACHED LISTS		MM (INCH)	DFTO Apple	DATE 06/18/06	
TOLERANCES EXCEPT AS NOTED		CHKD	DATE		
.0 ±		MFO	DATE		
.00 ±		APPVL	DATE		
.000 ±		MATERIAL :			
ANGLES ± 1°		G.E :			
THIRD ANGLE PROJECTION		FINISH :			
		SCALE :			
NAME				DEGSON® 宁波高正电子有限公司 DEGSON ELECTRONICS CO., LTD	
2EDGRTM-5.08-XXP-1Y-00A (H)				DRAWING NO. 2EDGRTM-5.08-E01	
				/PART NO.	
				SIZE A3	
				REV T3	
				09/20/10	
DO NOT SCALE DRAWING				SHEET 1 OF 1	