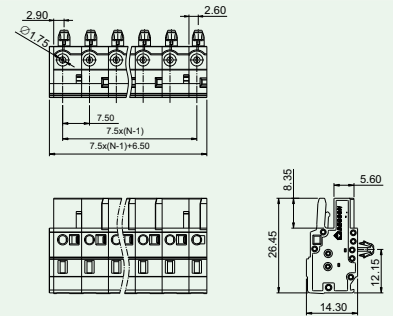
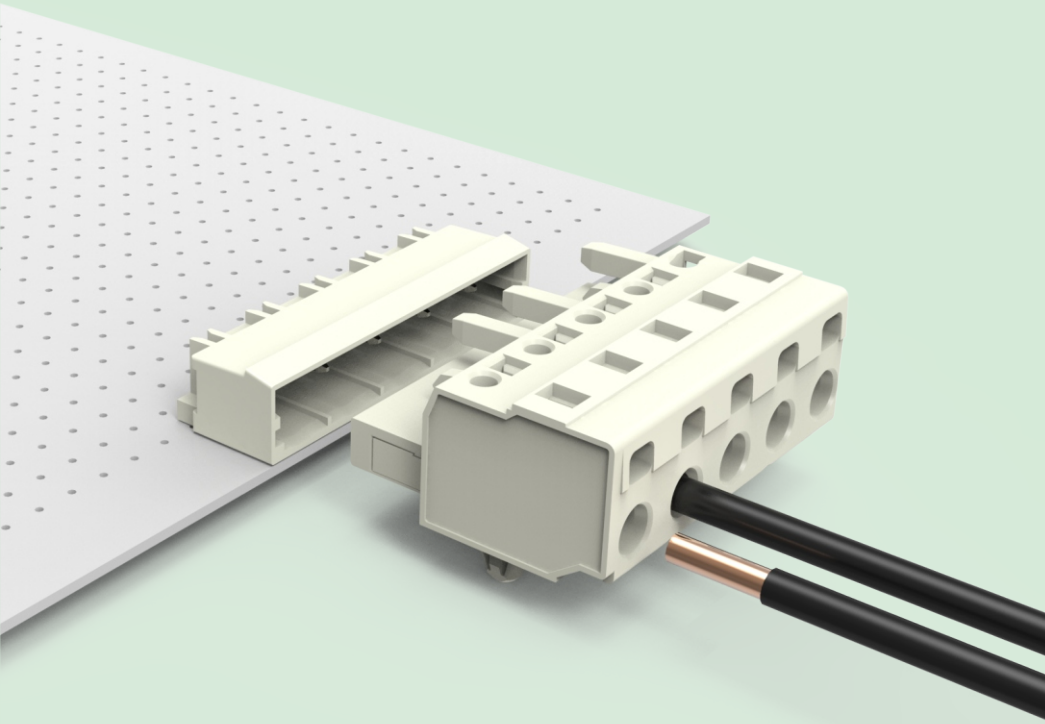


8EDGKC-7.5.....1000AH

- 笼式弹簧结构抗振性能好；
- 带固定脚结构，可安装在面板上；
- 最大线径：2.5mm²
- Cage spring type, good anti-vibration performance.
- Fixing hook structure, can assemble on the panel board.
- Max. wire range : 2.5mm²



技术参数 Technical Data

APPROVAL: CE

型号 Model	线径 Wire range	线数 Poles	IEC61984技术参数(IEC61984 datasheet)				UI1059技术参数(UL1059 datasheet)			
			电压(V)	Rated voltage	电流(A)	Rated current	电压(V)	Rated voltage	电流(A)	Rated current
8EDGKC-7.5-1000A	2.5mm ² /22-14AWG	02-12P	400		20		300		15	

应用行业 Application

工业自动化、新能源、电力电气、仪器仪表、电梯等行业。

Industrial automation, new energy, electric power, instrument, elevator etc.



产品包装方式 Packing

Product model	Pcs./Pkt.	Product model	Pcs./Pkt.
8EDGKC-7.5-02P	100	8EDGKC-7.5-08P	50
8EDGKC-7.5-03P	100	8EDGKC-7.5-09P	50
8EDGKC-7.5-04P	100	8EDGKC-7.5-10P	50
8EDGKC-7.5-05P	100	8EDGKC-7.5-11P	50
8EDGKC-7.5-06P	50	8EDGKC-7.5-12P	50
8EDGKC-7.5-07P	50		

型号对照 Cross Reference

DEGSON	同行1/ Competitor1	同行2/ Competitor2
8EDGKC-7.5	231-7XX/008-000	4751XX/030

产品订货 How to order

