

REVISION RECORD				
REV	ECN	DESCRIPTION	DRFT	DATE

NOTES1:
 UL Standard
 1. Rated voltage/current : 300V / 16A
 2. Withstanding voltage : AC1600V/1Min.
 3. Wire range : 14~28AWG
 4. Ratings: Use group B,C 300V AC/DC
 Use group D 600V AC/DC

IEC Standard

1. Pollution degree	2	2	3
Overvoltage category	II	III	III
Rate impulse voltage(KV)	6.0KV	6.0KV	6.0KV
Rate voltage(V)	1000V	630V	500V
Rate current(A)	20A		

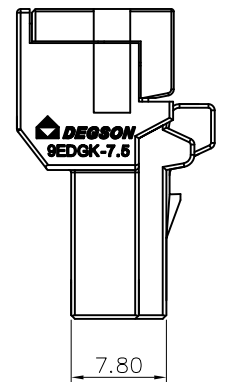
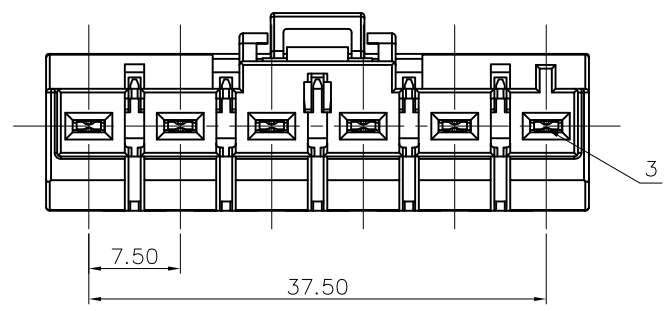
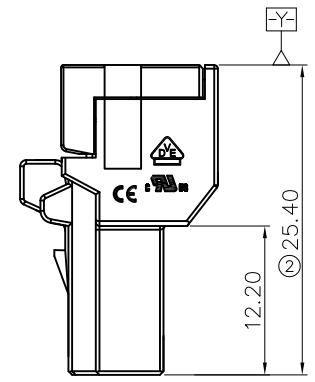
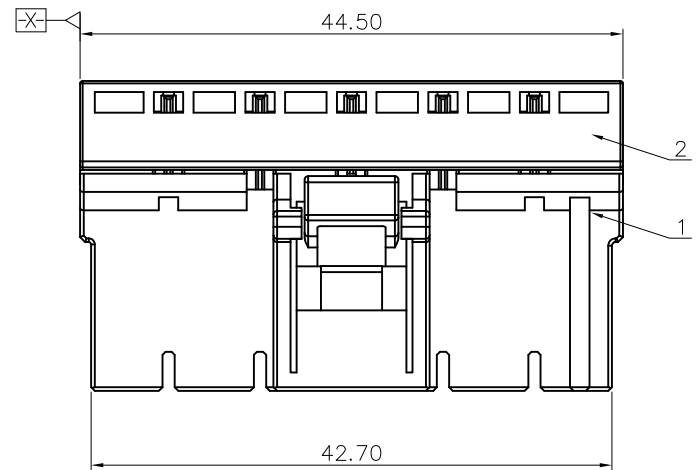
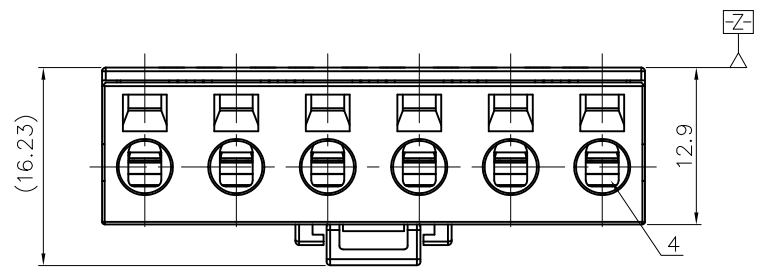
2. Wire range : 0.2~2.5mm²
 NOTES2:
 1. Dimension shall be interpreted per ASME Y14.5-2009
 2. Pitch : 7.50mm, Poles : 06P
 3. Stripping length : 8~9mm
 4. Operating temperature: -40°C~+105°C
 5. Undimensioned tolerances:

Pitch range in mm		Nominal dimension range in mm				0.1/10		
TO	TO	TO	TO	TO				
6	10	6	10	30	60	100	150	±2'
±0.15	±0.20	±0.30	±0.30	±0.50	±0.70	±1.00	±1.30	

6. RoHS Compliance
 9EDGK - 7.5 - 06P - 1Y - 200A (H)
 (Series No.) (Pitch) (Poles) (Single Pitch) (Color): 1.(Grey) 5.(Orange)
 2.(Blue) 6.(Red)
 3.(Black) 7.(Transparent)
 4.(Green) 8.(Yellow)
 9.(White)

ITEM	NAME OF PART	MATERIAL	NOTES
4	Spring	Stainless Steel	
3	Clamp	Copper alloy	Au Plated
2	Cover	PA66	UL94V-0
1	Housing	PA66	UL94V-0

DETACHED LISTS	PART NO.:	/		
	APPD:	NAME: 9EDGK-7.5-06P-1Y-200A(H)		
	CHKD:	TITLE: CUSTOMER DRAWING		
	DRFT: MEK 2017.07.28	DRAWING NO.:	9EDGK-7.5-CO3	REV DO-1
THIRD ANGLE PROJECTION		MM (INCH)	DO NOT SCALE DRAWING	SCALE 1:1



9EDGK - 7.5 - 06P - 1Y - 200A (H)
 (RoHS)
 200A-(Customer Request)
 (Color): 1.(Grey) 5.(Orange)
 2.(Blue) 6.(Red)
 3.(Black) 7.(Transparent)
 4.(Green) 8.(Yellow)
 9.(White)

H
G
F
E
D
C
B
A