

REVISION RECORD

| REV | ECN | DESCRIPTION | DRFT | DATE |
|-----|-----|-------------|------|------|
|-----|-----|-------------|------|------|

NOTES1:

UL Standard

1. Rated voltage/current : 300V / 16A
2. Withstanding voltage : AC1600V/1Min.
3. Wire range : 14~28AWG
4. Ratings: Use group B,C 300V AC/DC  
Use group D 600V AC/DC

IEC Standard

| 1. | Pollution degree         | 2     | 2     | 3     |
|----|--------------------------|-------|-------|-------|
|    | Overvoltage category     | II    | III   | III   |
|    | Rate impulse voltage(KV) | 6.0KV | 6.0KV | 6.0KV |
|    | Rate voltage(V)          | 1000V | 630V  | 500V  |
|    | Rate current(A)          | 20A   |       |       |

2. Wire range : 0.2~2.5mm<sup>2</sup>

NOTES2:

1. Dimension shall be interpreted per ASME Y14.5-2009
2. Pitch : 7.50mm, Poles : N=02~12P
3. Stripping length : 8~9mm
4. Operating temperature: -40°C~+105°C
5. Undimensioned tolerances:

| Pitch range in mm |         | Nominal dimension range in mm |          |           |            |         |        | -     | ∩   | ∇ |
|-------------------|---------|-------------------------------|----------|-----------|------------|---------|--------|-------|-----|---|
| TO                | Over TO | Over TO                       | Over TO  | Over TO   | Over TO    | Over TO | 0.1/10 |       |     |   |
| 6                 | 6 TO 10 | 10 TO 24                      | 30 TO 60 | 60 TO 100 | 100 TO 150 | 150     | <      |       |     |   |
|                   | ±0.15   | ±0.20                         | ±0.30    | ±0.30     | ±0.50      | ±0.70   | ±1.00  | ±1.30 | ±2' |   |

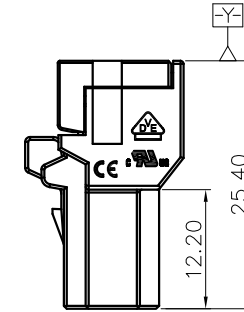
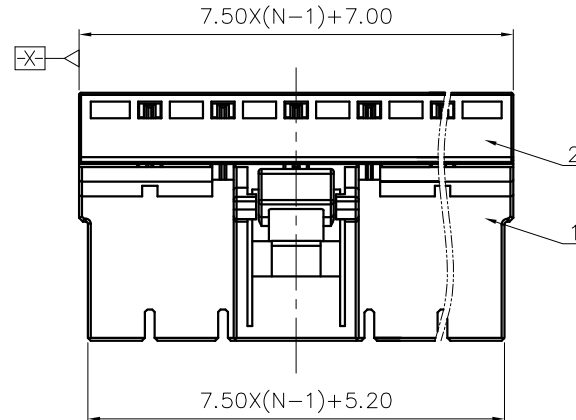
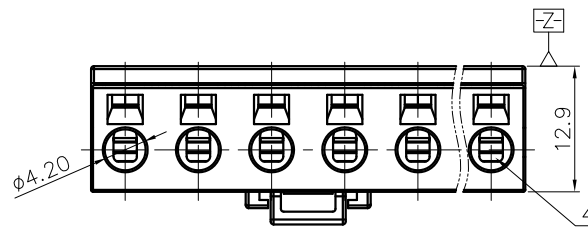
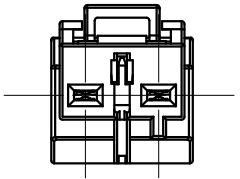
6. RoHS Compliance

9EDGK - 7.5 - XXP - 1Y - 00A (H)  
 (Series No.) (Pitch) (Poles) (Single Pitch) (Color): 1.(Grey) 5.(Orange)  
 2.(Blue) 6.(Red)  
 3.(Black) 7.(Transparent)  
 4.(Green) 8.(Yellow)  
 9.(White)

| ITEM | NAME OF PART | MATERIAL        | NOTES     |
|------|--------------|-----------------|-----------|
| 4    | Spring       | Stainless Steel |           |
| 3    | Clamp        | Copper alloy    | Au Plated |
| 2    | Cover        | PA66            | UL94V-0   |
| 1    | Housing      | PA66            | UL94V-0   |

|                |                        |   |           |      |
|----------------|------------------------|---|-----------|------|
| DETACHED LISTS | PART NO.:              | /   |           |      |
|                | APPD:                  | NAME: 宁波高松电子有限公司<br>NINGBO DEGSON ELECTRICAL CO., LTD |           |      |
|                | CHKD:                  | 9EDGK-7.5-XXP-1Y-00A(H)                               |           |      |
|                | DRFT: MEK 2017.07.28   | TITLE: CUSTOMER DRAWING                               | REV       | DO-1 |
|                |                        | DRAWING NO.: 9EDGK-7.5-C01                            | SHEET     | 1/4  |
|                | THIRD ANGLE PROJECTION | DO NOT SCALE DRAWING                                  | SCALE 1:1 |      |

2P



3P

