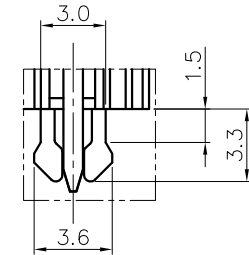
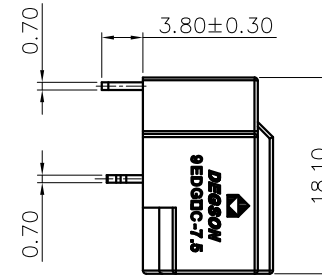
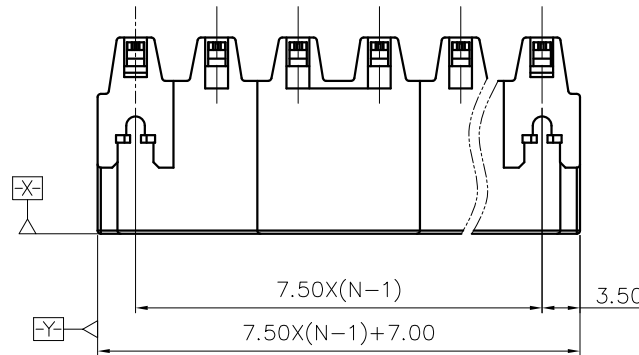
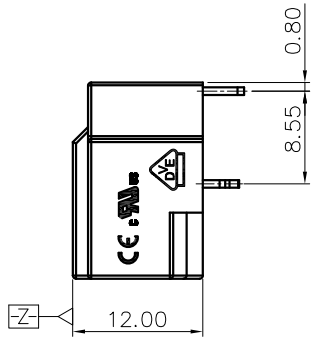
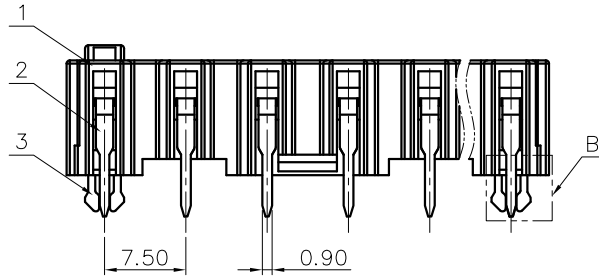


REVISION RECORD				
REV	ECN	DESCRIPTION	DRFT	DATE



Detail "B"
Scale: 2:1

NOTES1:

UL Standard

- Rated voltage/current : 300V / 16A
- Withstanding voltage : AC1600V/1Min.
- Ratings: Use group B,C 300V AC/DC
Use group D 600V AC/DC

IEC Standard

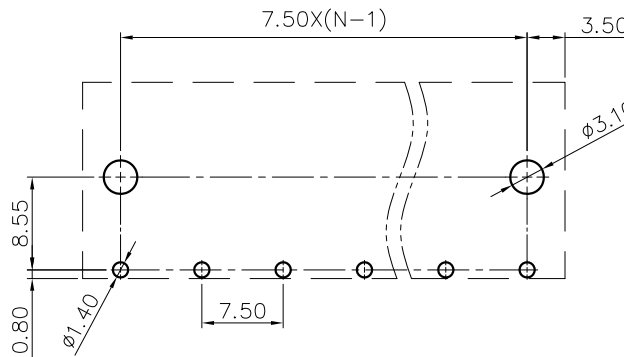
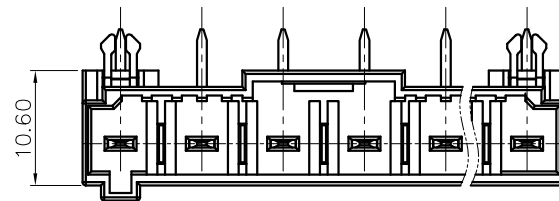
Pollution degree	2	2	3
	Overvoltage category	II	III
Rate impulse voltage(KV)	6.0KV	6.0KV	6.0KV
Rate voltage(V)	1000V	630V	500V
Rate current(A)	20A		

NOTES2:

- Dimension shall be interpreted per ASME Y14.5-2009
- Pitch : 7.50mm, Poles : N=02~12P
- Operating temperature: -40°C~+130°C
- Undimensioned tolerances:

Pitch range in mm		Nominal dimension range in mm					0.1/10	0.1/10
To	Over	To	Over	To	Over			
6	10	30	60	100	150			
10	24	30	60	100	150			
±0.15	±0.20	±0.30	±0.50	±0.70	±1.00	±1.30	±2'	

5.RoHS Compliance



PCB LAYOUT

9EDGRC - 7.5 - XXP - 1Y - 00A (H)
 (Series No.) (Pitch) (Poles) (Single Pitch) (Color): 3.(Black) 9.(White)
 (RoHS)
 00A-(Standard)

ITEM	NAME OF PART	MATERIAL	NOTES
3	Mount	Copper alloy	Sn Plated
2	Pin header	Copper alloy	Au Plated
1	Housing	LCP	UL94V-0

DETACHED LISTS	PART NO.:	宁波高松电子有限公司 NINGBO DEGSON ELECTRICAL CO., LTD		
	APPD:	NAME: 9EDGRC-7.5-XXP-1Y-00A(H)		
	CHKD:	TITLE: CUSTOMER DRAWING		
	DRFT: MEK 2017.07.28	REV	DO-1	
		DRAWING NO.:	9EDGRC-7.5-C01	SHEET
	MM (INCH)	DO NOT SCALE DRAWING	SCALE	1:1