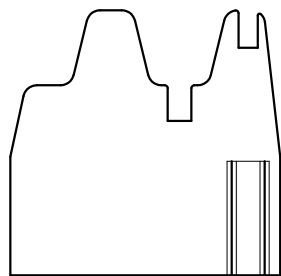


REVISION RECORD				
REV	ECN	DESCRIPTION	DRFT	DATE



NOTES1:

UL Standard

- 1. Rated voltage/current : 600V / 16A
- 2. Withstanding voltage : AC2200V/1Min.

IEC Standard

1. Pollution degree	2	2	3
Overtoltage category	II	III	III
Rate impulse voltage(KV)	6KV	8KV	8KV
Rate voltage(V)	1000V	1000V	800V
Rate current(A)	17.5A		

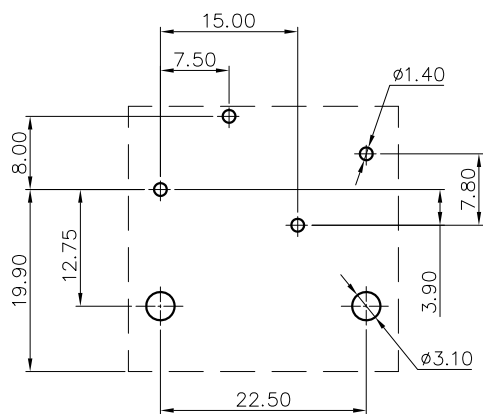
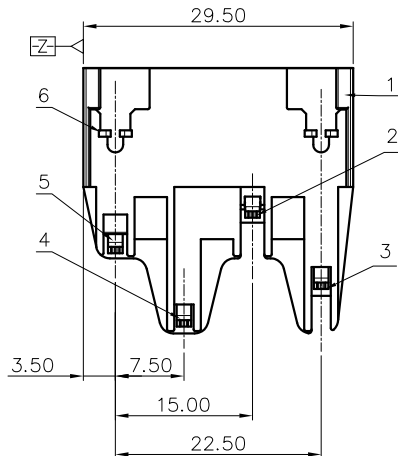
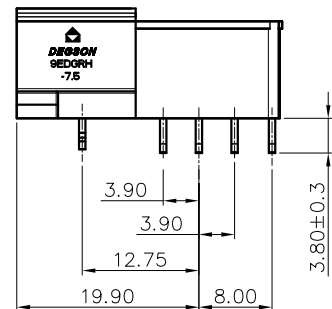
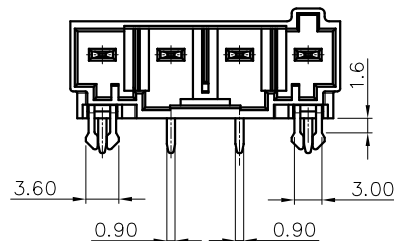
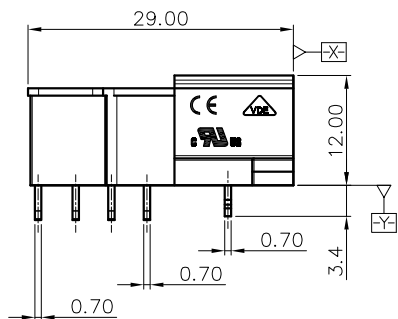
NOTES2:

- 1. Dimension shall be interpreted per ASME Y14.5-2009
- 2. Pitch : 7.5mm, Poles : 04P
- 3. Operating temperature: -40°C~+105°C
- 4. Undimensioned tolerances:

Pitch range in mm		Nominal dimension range in mm				-	∩	∟
TO	Over	Over	TO	Over	Over	Over	0.1/10	
6	6 TO 10	10 TO 24	30 TO 60	60 TO 100	100 TO 150	150		
±0.15	±0.20	±0.30	±0.30	±0.50	±0.70	±1.00	±1.30	±2'

5. RoHS Compliance

9EDGRH - 7.5 - 04P - 1Y - 100A (H)
 (Series No.) (Pitch) (Poles) (Single Pitch) (Color):1.(Grey)
 2.(Blue)
 3.(Black)
 4.(Green)
 5.(Orange)
 6.(Red)
 7.(Transparent)
 8.(Yellow)
 9.(White)



PCB LAYOUT

ITEM	NAME OF PART	MATERIAL	NOTES
6	Mount header	Copper alloy	Sn Plated
5	Pin header4	Copper alloy	Sn Plated
4	Pin header3	Copper alloy	Sn Plated
3	Pin header2	Copper alloy	Sn Plated
2	Pin header1	Copper alloy	Sn Plated
1	Housing	PA66+25%GF	UL94V-0

PART NO.: /		宁波高松电子有限公司 NINGBO DEGSON ELECTRICAL CO., LTD	
APPD:	NAME: 9EDGRH-7.5-04P-1Y-100A(H)		
CHKD:	TITLE: CUSTOMER DRAWING		
DRFT: Ethan 2017.07.26	REV	TO-1	
THIRD ANGLE PROJECTION	DRAWING NO.: 9EDGRH-7.5-C02	SHEET	1/1
	MM (INCH)	DO NOT SCALE DRAWING	SCALE 1:1