

NOTE:

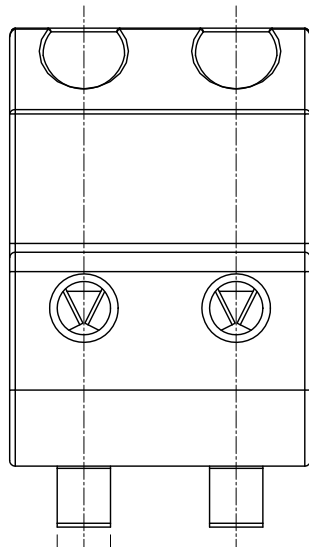
Material :

- \* Base : PPA With 33% GF. UL 94V-0
- \* Contact : Phosphor Bronze
- \* For Lead Free IR Reflow Process
- \* Recommended to use Solid wire AWG#18~#22(0.75 and 0.50mm<sup>2</sup>)

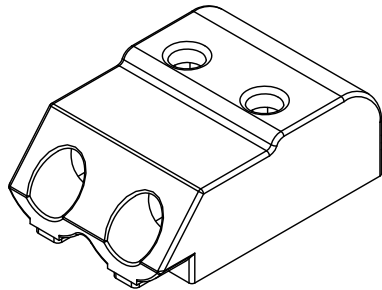
ORDERING CODE

CID1 \*\* M 1 H R0 -NH  
 ① ② ③ ④ ⑤ ⑥ ⑦

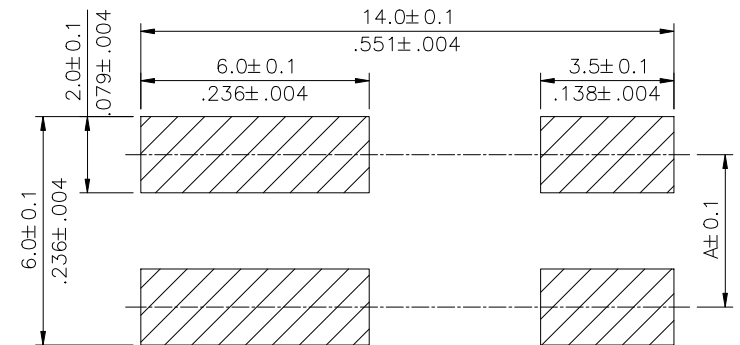
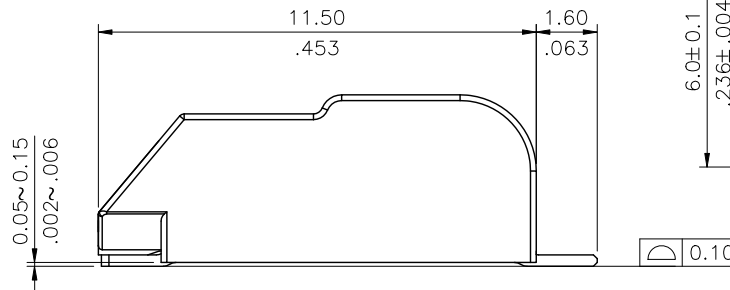
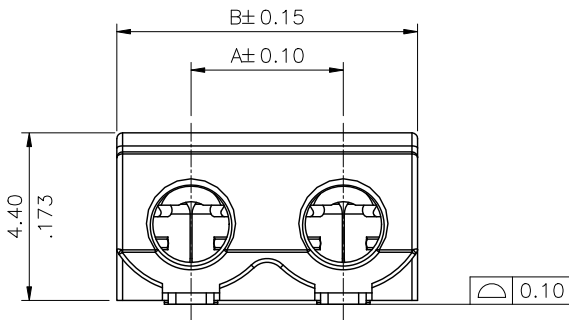
- ① Series No.
- ② Contact: 01 to 03
- ③ M= SMT TYPE HEADER
- ④ Plating :  
 1= 3.05μm(120μ") Min. Matte Tin Plated over 1.27um(50μ") Nickel
- ⑤ Type : H= Side entry
- ⑥ Packing option:  
 R0= Tape & Reel Packing
- ⑦ -NH= For Lead Free IR Processes and Halogen-Free



1.40  
.055



	A	B
1 P	-	3.9(.154)
2 P	4.0(.157)	7.9(.311)
3 P	8.0(.315)	11.9(.469)




Recommended P.C. Board Layout

Lead Free Process

Halogen-Free

RoHS Compliant

SYM	NAME	DATE	REVISIONS	APPROVED BY:	Eisley	10/9-14'	UNIT: mm / inch	TITLE: 4.00mm Side entry SMT Type Connector	 瀚荃股份有限公司 CviLux Corporation		
④							TOLERANCE UNLESS OTHERWISE SPECIFIED .X ± 0.25/.010 X' ± 1" .XX ± 0.15/.006 .X' ± .XXX ± 0.10/.004 .XX' ±	MATERIAL:  FINISH:		DRAWING NO. CID101S2	PART NO. CID1**M1HRO-NH
③				DRAWN BY: Hank	10/9-14'					SCALE 5 / 1	SHEET 1 OF 2
②				ENGINEER: Clark	10/9-14'						
①				CHECKED BY: Eisley	10/9-14'						

