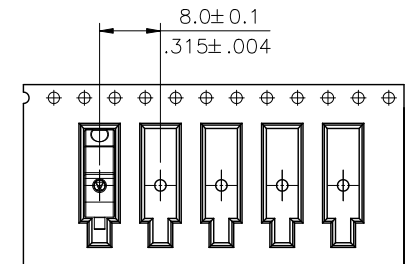
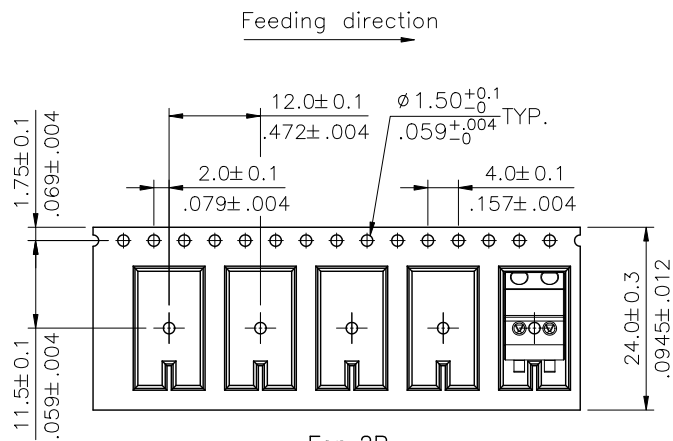
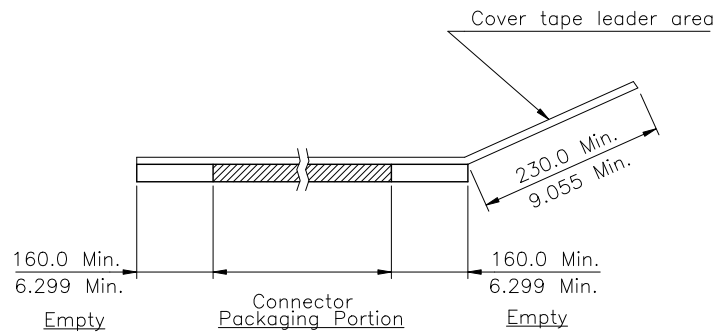


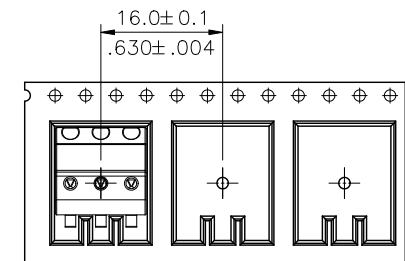
NOTES:

1. 10 sprocket hole pitch cumulative tolerance  $\pm 0.20$
2. Carrier camber is within 1 mm in 250 mm.
3. Material : Black, Polystyrene alloy
4. All dimensions meet EIA-481-B requirements.
5. Thickness :  $0.40 \pm 0.05$ mm.
6. Packing length per 22" Reel : 40.6 Meters.
7. Component load per 13" Reel : 1P:1600 pcs. 2P:1100 pcs. 3P:800 pcs.

Circuits	Dimension					Packing (Reel/Caton)
	E	F	W1	W2	W3	
1~3	24.0(.945)	—	24.5(.965)	30.5(1.200)	24.5(.965)	9



For 1P



For 3P

For 2P  
WIDTH : 24 mm Carrier

RoHS Compliant

4					DATE	UNIT: mm / inch	TITLE: 4.00mm Side entry SMT Type Connector	 瀚荃股份有限公司 CviLux Corporation	
3				DRAWN BY: Hank	10/9-14'	TOLERANCE UNLESS OTHERWISE SPECIFIED			MATERIAL:
2				ENGINEER: Clark	10/9-14'	.X ±	X' ± 1'		FINISH:
1				CHECKED BY: Eisley	10/9-14'	.XX ±	.X' ±		
SYM	NAME	DATE	REVISIONS	APPROVED BY: Eisley	10/9-14'	.XXX ±	.XX' ±	DRAWING NO. CID101S2	
								PART NO. CID1**M1HR0-NH	
SCALE								SHEET 2 OF 2	