

Material :

- * Base:
High Temperature Plastic UL 94V-0
Color White
- * Contact :
Phosphor Bronze, With Tin plated
- * Tab :
Brass, With Tin plated

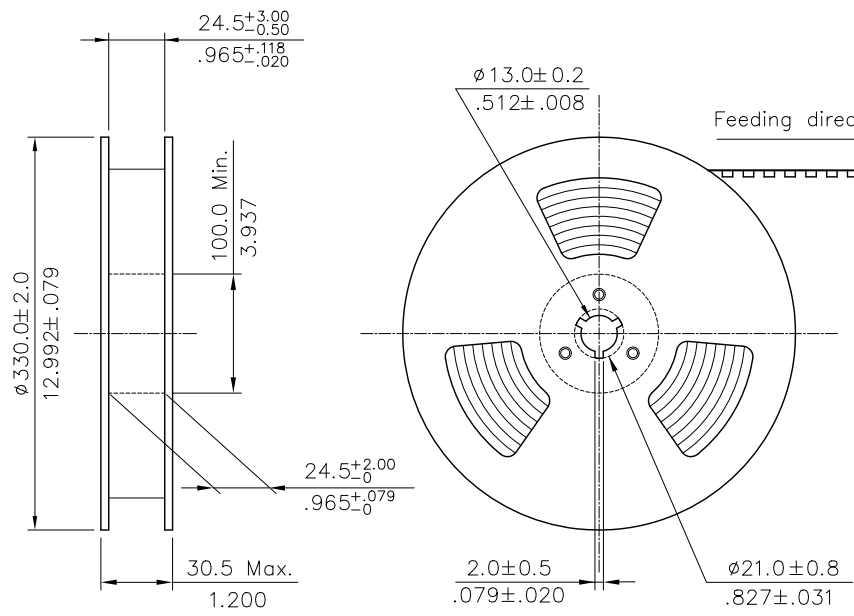
Ordering Code:

CP14 04 M 1 H R B -NH
① ② ③ ④ ⑤ ⑥ ⑦ ⑧

- ① Series No.
- ② No. of Circuits: 04 Pin
- ③ M= SMT Type
- ④ Plating: 1= 3.05 μ m(120 μ ") ~ 4.88 μ m(192 μ ")
Matte Tin over 1.27 μ m(50 μ ") Nickel
- ⑤ Type: H= Side Entry
- ⑥ Packing Options: R= Tape & Reel packing
- ⑦ Option: B= Upside Contact
- ⑧ Other option:
-NH= For Lead Free IR Processes
and Halogen-Free

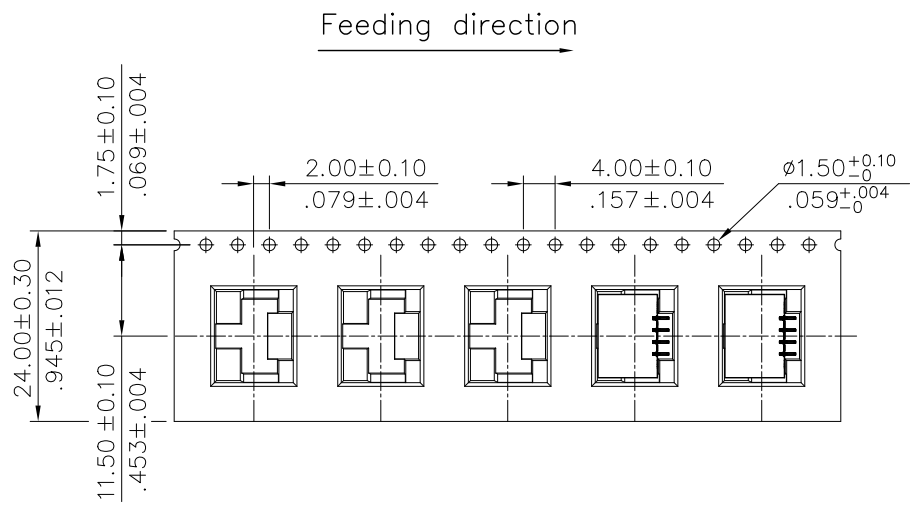
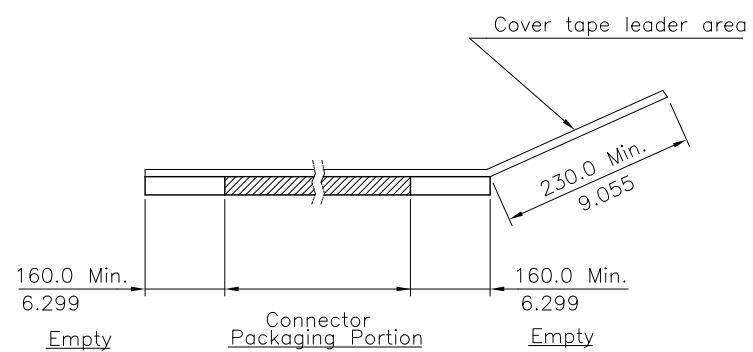
Halogen-Free Lead Free Process RoHS compliant

④					DATE	UNIT: mm / inch	TITLE: For CP14 series Upside connector	瀚荃股份有限公司 CviLux Corporation
③				DRAWN BY: Enya	8/30-12'	TOLERANCE UNLESS OTHERWISE SPECIFIED	MATERIAL:	
②	Enya	8/30-12'	ECR12043-2/ECN12209-0	ENGINEER: Eisley	9/03-12'	.X ± 0.30/.012 X' ± r	FINISH:	DRAWING NO. CP1403SB PART NO. CP1404M1HRB-NH
①	Clark	04/30-12	ECN12065-0	CHECKED BY: Eisley	9/03-12'	.XX ± 0.20/.008 .X' ±		SCALE 4 / 1 SHEET 1 OF 3
SYM	NAME	DATE	REVISIONS	APPROVED BY: David	9/03-12'	.XXX ± 0.10/.004 .XX' ±		



NOTE :

- * Reel Material : Corrugated Paper
- * Carrier Material : Black, Polystyrene alloy
- * Cover Tape Material : Polyester
- * Cover Tape Peel Strength : 0.1N – 1.3N
- * Carrier camber is within 1mm in 100mm
- * All dimensions meet EIA-481-2 & EIA-481-3 requirements.
- * Quantity : 1000 PCS/Reel
- * Packing : 9 Reel/Cartron



WIDTH : 24 mm Carrier

RoHS Compliant

4					DATE	UNIT: mm / inch	TITLE: For CP14 series Upside connector	瀚荃股份有限公司 CviLux Corporation	
3				DRAWN BY: Enya	8/30-12'	TOLERANCE UNLESS OTHERWISE SPECIFIED	MATERIAL:		
2	Enya	8/30-12'	ECR12043-2/ECN12209-0	ENGINEER: Easley	9/03-12'	.X ±	FINISH:	DRAWING NO. CP1403SB	
1	Clark	04/30-12	ECN12065-0	CHECKED BY: Easley	9/03-12'	.XX ±		PART NO. CP1404M1HRB-NH	
SYM	NAME	DATE	REVISIONS	APPROVED BY: David	9/03-12'	.XXX ±		SCALE	SHEET 3 OF 3