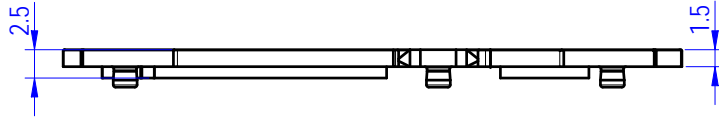
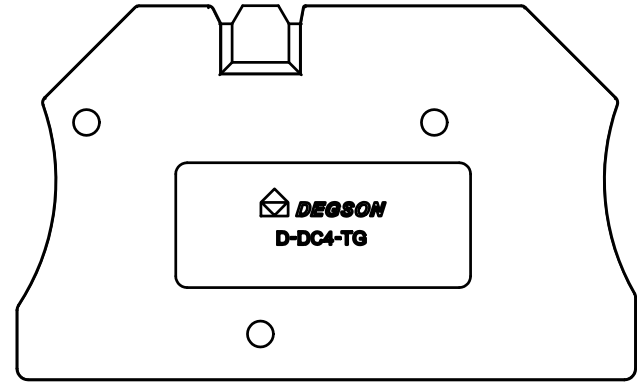
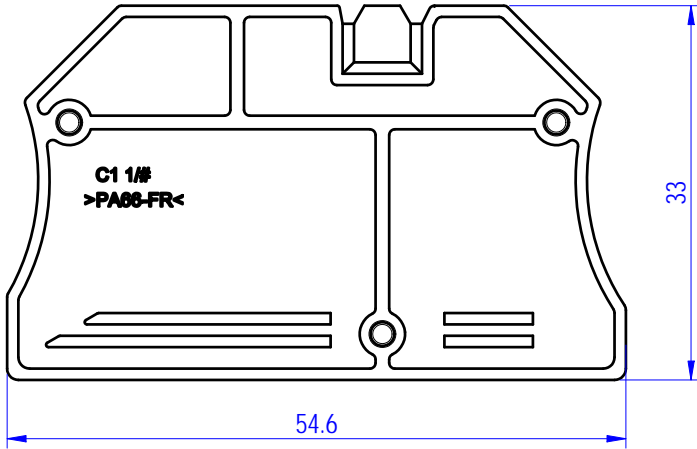
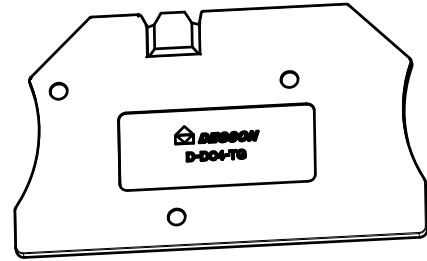


Transfer or duplication of this document as well as the utilization or communication of its contents are prohibited unless authorized in writing by Degson. All rights reserved for patent, utility model or design registrations. 除专利权明确授权，否则禁止译法、复制、引用、交流等文件的传播。未经书面许可，不得复制或传播。 所有权利保留，未经许可，不得擅自复制或传播。

未注公差/General tolerances (mm)														
0	>3	>6	>10	>18	>30	>50	>80	>120	>180	>250	>315	>400	0.1/10 ±2'	
~3	~6	~10	~18	~30	~50	~80	~120	~180	~250	~315	~400	>500		
±0.12	±0.18	±0.22	±0.26	±0.31	±0.37	±0.57	±0.80	±0.93	±1.05	±1.15	±1.60	±2.20	±2.50	
使用温度范围/Operating temperature (°C)											-40~+105			
符合 RoHS 环保要求/Conform to RoHS											Yes			
阻燃等级/Flame Class											UL94 V-0			



Please refer to the 3D model, for these unmarked dimensions.



		MATERIAL: PA66		SURFACE/COLOR:					
		MAT NO./REV: 11060000383-1 / 00		MAT STATUS: 小批量,新物料					
APPD: 李根芳	2022.04.13	NAME							
CHKD: 马恩开	2022.04.08	D-DC4-TG-01P-11-00A (H)							
DRFT: 米帅	2022.04.08								
REV	ECN	DESCRIPTION	DRFT	DATE	DRAWING NO. 200063556	TYPE CUSTOMER DRAWING	DRAWING STATUS 已发布	SCALE 2:1	SHEET 1/1

00		First version	米帅	2022.04.08
REV	ECN	DESCRIPTION	DRFT	DATE