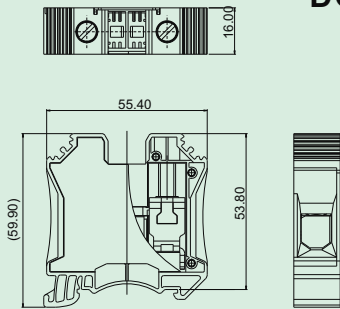


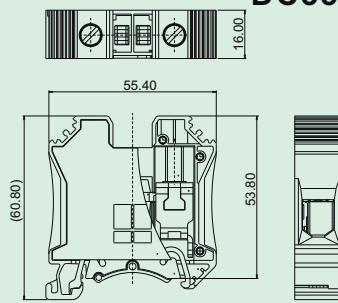
DC35/DC35-PE/DFA35

- 紧凑型螺钉结构设计;
 - 载流体采用紫铜材料, 保证良好的电气性能;
 - 可实现整体安装方案, 带插入式桥接件及接地保护功能。
- Compact screw structure design;
 - Copper current-carrier, excellent electrical performance;.
 - Can be used in overall installation plan, with bridge accessories and PE function.

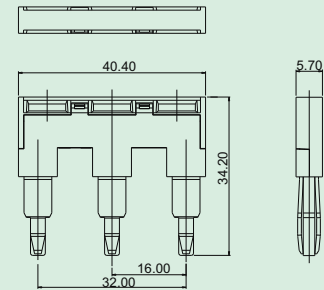
DC35



DC35-PE



DFA35



技术参数 Technical data

APPROVAL: CE

型号 Model	线径 Wire range (AWG/mm ²)	线数 Poles	IEC60947技术参数 (IEC60947 data sheet)		UL1059技术参数 (UL1059 data sheet)	
			电压(V) Rated voltage	电流(A) Rated current	电压(V) Rated voltage	电流(A) Rated current
DC35	14-1/0/1.5-35	01P	1000	125	600	150
DC35-PE	14-1/0/1.5-35	01P	-	-	-	-
DFA35	-	02-03P	-	-	-	-

应用行业 Application

工业自动化, 机械, 电力电气, 新能源, 电梯等行业。

Industrial automation, machinery, electric power, new energy, elevator etc.



产品包装方式 Packing

Product model	Pcs./Pkt.
DC35-PE-01P	10
DC35-01P	10

型号对照 Cross reference

DEGSON	同行1/Competitor1	同行2/Competitor2
DC35	P/TB35	D/DK35N
DC35-PE	P/TB35-PEI	W/WDE35N
DFA35	P/SCBI35-10	D/DSS35N

产品订货 How to order

DC35/DFA35	-	X	X	P	-	1	Y	-	0	0	A(H)
Series NO.		NO. of pole							Standard		
		1	2			1			通用色 General Color		
							1	Grey	PANTONE 430C	DEGSON 01	
DC35-PE	-	0	1	P	-	1	C	-	0	0	A(H)
Series NO.		NO. of pole							Standard		
		1	2			1			通用色 General Color		
							1	Green-yellow	PANTONE -	DEGSON 0C	