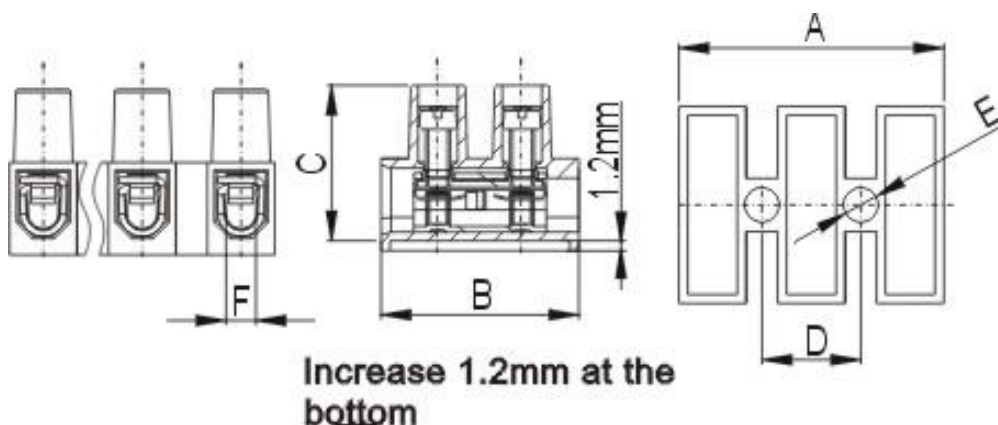
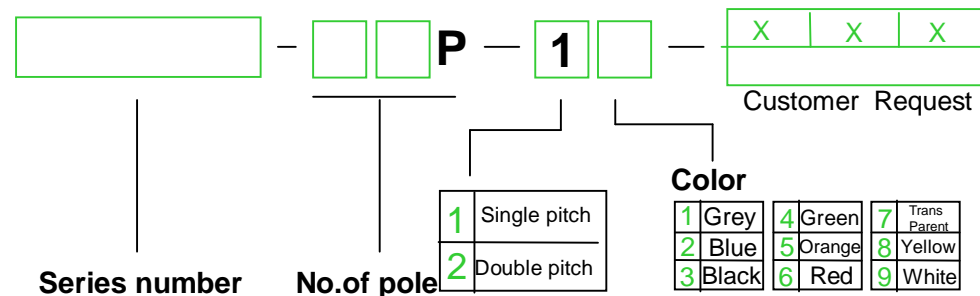




Model	Wire range	IEC (datasheet)		UL (datasheet)		Dimensions (mm/In.)						
		Rated current	Rated voltage	Rated current	Rated voltage	Unit	A	B	C	D	E	F
DG8HWP-1.2	0.5-2.5mm ²	24A	450V	15A	300V	(mm)	96.05	17.80	15.50	8.20	±3.00	2.90*2.30
DG10HWP-1.2	0.5-4.0mm ²	32A	450V	20A	300V	(mm)	116.70	20.00	16.80	10.00	±3.50	3.45*2.70
DG12HWP-1.2	2.5-8.0mm ²	41A	750V	30A	300V	(mm)	134.30	23.40	19.00	11.50	±3.70	4.25*3.30
DG15HWP-1.2	6.0-10.0mm ²	57A	750V	50A	300V	(mm)	174.80	25.20	23.00	15.00	±5.20	5.50*4.50

- ※ Housing material: PA66 UL94V-2
- ※ Current carrier: Steel, Cr³⁺Zn-plated
- ※ Screws: Steel, Cr³⁺Zn-plated
- ※ Wire guard: Phosphor bronze
- ※ Ambient temperature: -40°C~T110°C
- ※ Poles available: 2-12P

HOW TO ORDER :



	 DEGSON ELECTRONICS CO., LTD.
	NAME DG8HWP-1.2 DG10HWP-1.2 DG12HWP-1.2 DG15HWP-1.2 DG16HWP-1.2 DG18HWP-1.2