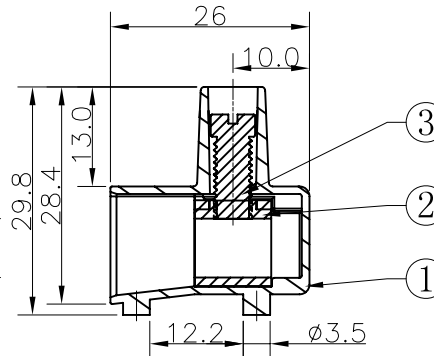
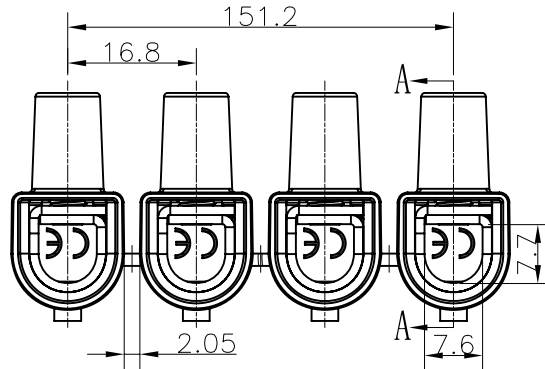
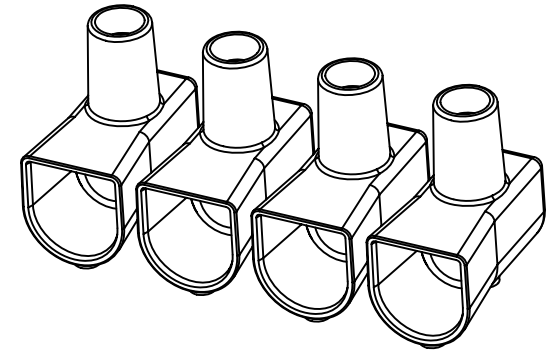
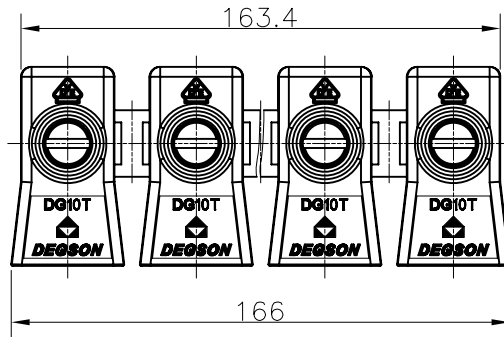


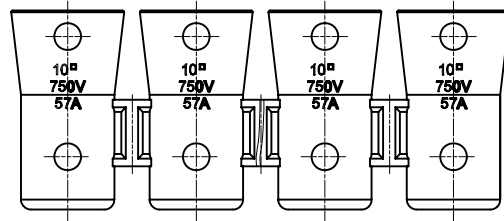
REVISION RECORD					
REV	ECN	DESCRIPTION	DRFT	DATE	



Section A-A

Notes:

1. Pitch: 16.8, Ploes: 10P
2. Rated voltage/Current: VDE 750V 57A
3. Operation temperatures: $-40^{\circ}\text{C} \sim +85^{\circ}\text{C}$
4. Withstanding Voltage: AC3000V/1min
5. Insulation Resistance: $5000\text{M}\Omega / \text{DC}1000\text{V}$
6. Wire Range: $2 \times (2.5-10) \text{mm}^2$
7. Max. Torque Value: M5.0, 20.4Kgf. cm (17.54Lb. in).



3	DG10T"-Screw	S000003430 (H)	10	Steel	Cr ³⁺ Zn
2	DG10T-Current carrier	X000004450 (H)	10	Steel	Cr ³⁺ Zn

ITEM	NAME OF PART	NO. OF PART	Q"TY	MATERIAL	NOTES																											
1	DG10T-Housing	2044A0710A (H)	1	PC	UL94V-2																											
<table border="1"> <tr> <td>← MM (INCH) →</td> <td>DFTO Apple</td> <td>DATE 10/10/09*</td> </tr> <tr> <td>TOLERANCES EXCEPT AS NOTED</td> <td>CHKD</td> <td>DATE</td> </tr> <tr> <td></td> <td>MFO</td> <td>DATE</td> </tr> <tr> <td>MM</td> <td>APPVL</td> <td>DATE</td> </tr> <tr> <td>0-30 ±0.25</td> <td></td> <td></td> </tr> <tr> <td>30-60 ±0.3</td> <td></td> <td></td> </tr> <tr> <td>60-100 ±0.5</td> <td></td> <td></td> </tr> <tr> <td>100-150 ±0.7</td> <td></td> <td></td> </tr> <tr> <td>over150 ±1.0</td> <td></td> <td></td> </tr> </table>		← MM (INCH) →	DFTO Apple	DATE 10/10/09*	TOLERANCES EXCEPT AS NOTED	CHKD	DATE		MFO	DATE	MM	APPVL	DATE	0-30 ±0.25			30-60 ±0.3			60-100 ±0.5			100-150 ±0.7			over150 ±1.0			<p style="text-align: center;">DEGSON[®] 宁波高正电子有限公司 DEGSON ELECTRONICS CO., LTD</p> <p>NAME: DG10T-10P-17-100A (H)</p>			
← MM (INCH) →	DFTO Apple	DATE 10/10/09*																														
TOLERANCES EXCEPT AS NOTED	CHKD	DATE																														
	MFO	DATE																														
MM	APPVL	DATE																														
0-30 ±0.25																																
30-60 ±0.3																																
60-100 ±0.5																																
100-150 ±0.7																																
over150 ±1.0																																
<table border="1"> <tr> <td>ANGLES ± 1'</td> <td>G.E :</td> </tr> <tr> <td>THIRD ANGLE PROJECTION</td> <td>FINISH :</td> </tr> </table>		ANGLES ± 1'	G.E :	THIRD ANGLE PROJECTION	FINISH :	DRAWING NO. DG10T-E02		SIZE A4	REV TO 03/22/10*																							
ANGLES ± 1'	G.E :																															
THIRD ANGLE PROJECTION	FINISH :																															
SCALE : 1:1		DO NOT SCALE DRAWING		SHEET 1	OF 1																											