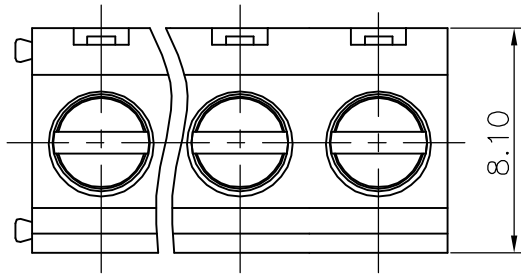
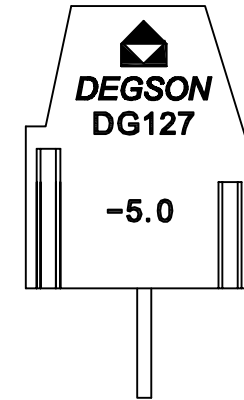
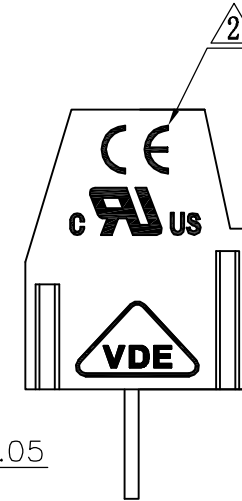
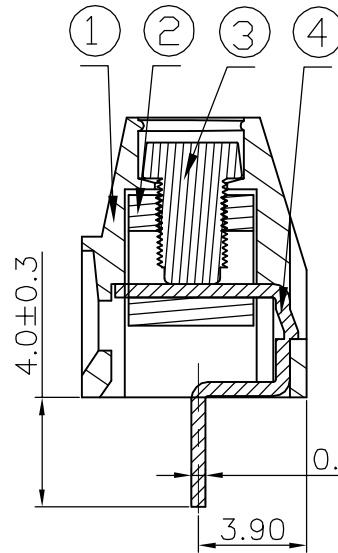
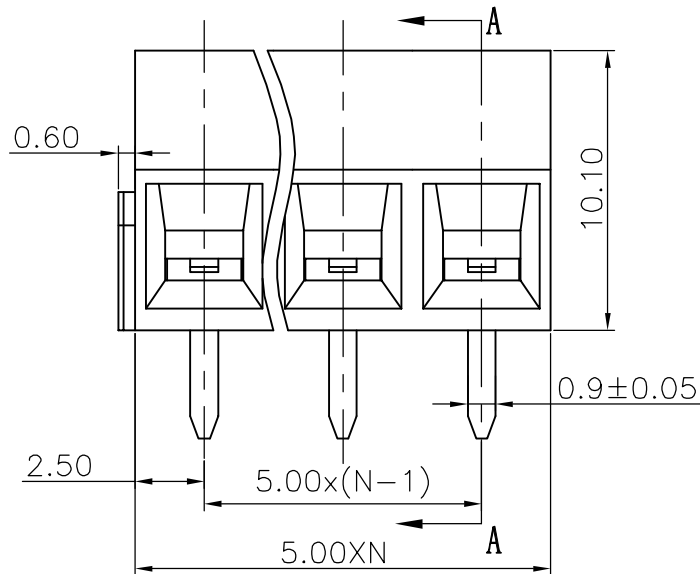


REVISION RECORD				
REV	ECD	DESCRIPTION	DRFT	DATE
△		Drawing Revise	Haoyh	06/27/06
△		增加VDE、CE标志	LJH	11/15/07
△		增加VDE参数	LJH	01/03/08



- Notes:
- pitch: 5.00mm
 - Rated voltage/current: UL 300V/12A
VDE 250V/15A
 - Insulation resistance: 5000MΩ/DC1000V
 - Withstanding voltage: AC2000V/1min
 - Wire range: 26~14AWG 1.5mm²
 - Temp. Range: -40° c ~+105° c
 - Torque: M2.5 4.08kgf.cm
 - Undimensioned Tolerances:

Pitch range in mm			Nominal dimension range in mm				
to 6	over 6 to 10	over 10 to 24	to 30	over 30 to 60	over 60 to 100	over 100 to 150	∩ ∇
±0.10	±0.15	±0.25	±0.2	±0.3	±0.5	±0.7	±1.0



SECTION A-A

4	DG127 Pin	4028B00010 (H)	XX	Brass	SnCe
3	DG127 "—"Screws	S000001450 (H)	XX	Steel	C ³ Zn
2	DG127 Cage	X00000170 (H)	XX	Brass	Ni plated

ITEM	NAME OF PART	NO. OF PART	Q'TY	MATERIAL	NOTES
1	DG127-5.0 Housing	4028A0YXXA (H)	1	PA66	UL94V-0

MM (INCH)	DATE 07/19/04	宁波高正电子有限公司 DEGSON ELECTRONICS CO., LTD		
TOLERANCES EXCEPT AS NOTED	DATE			
MM	DATE			
0.0 ±	DATE			
0.00 ±	DATE	NAME		
0.000 ±	DATE	DG127-5.0-XXP-1Y-00A(H)		
ANGLES ± 1°	G.E. :	DRAWING NO. DG127-5.0-E05	SIZE A3	REV T3
THIRD ANGLE PROJECTION	FINISH:	/PART NO.	A3	01/03/08
	SCALE: 1:1	DO NOT SCALE DRAWING	SHEET 1	OF 1