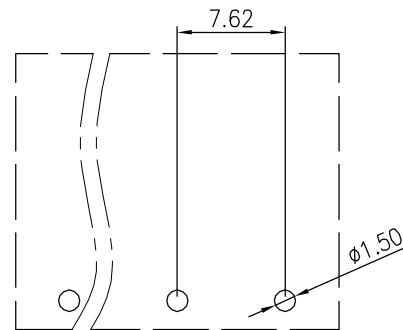
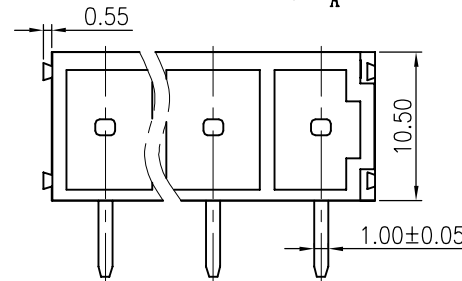
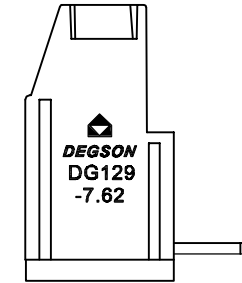
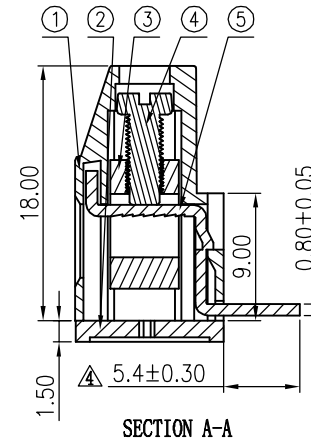
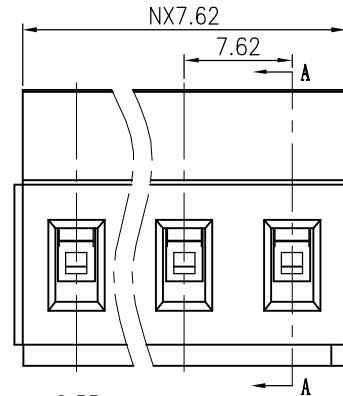
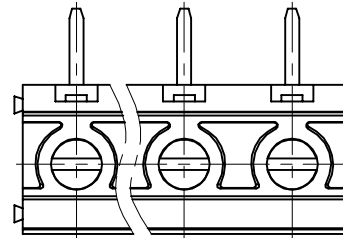
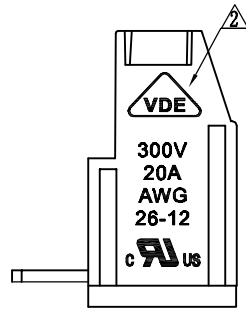


REVISION RECORD				
REV	ECD	DESCRIPTION	DRFT	DATE
△		增加VDE认证	CSX	01/12/07
△		品名、料号增加环保标示“00”	CSX	12/10/07
△		修改出脚尺寸5.3为5.4	LJH	04/25/09



Notes:

1. Pitch: 5.0mm, Poles: 2-XXP
2. Rated voltage/current: UL 300V/20A
VDE 250V/20A
3. Operation temperatures: -40°C ~ +105°C
4. Withstanding Voltage: AC2000V/1Min
5. Insulation Resistance: 5000MΩ/DC1000V
6. Wire Range: 26~12AWG, 0.5~2.5mm²
7. Max. Torque Value: M3, 5.1kgf.cm
8. Undimensioned Tolerances:

Pitch range in mm		Nominal dimension range in mm						
to	over	to	over	over	over			
6	10	24	30	60	100	150		
±0.10	±0.15	±0.25	±0.2	±0.3	±0.5	±0.7	±1.0	0.05/10

ITEM	NAME OF PART	NO. OF PART	Q'TY	MATERIAL	NOTES
5	DG129R Pin	4034B00010(H)	XX	Barss	SnCe
4	DG129 M3"-Screws	S000001430(H)	XX	Steel	Cr ³⁺ Zn
3	DG129 Contact	X000000200(H)	XX	Barss	Ni plated
2	DG129-7.62-Cover	4043C0YXXA(H)	1	PA66	UL94V-0
1	DG129R-7.62-Housing	4068A0YXXA(H)	1	PA66	UL94V-0

DETACHED LISTS		DFTD LIUM		DATE 07/25/05"		NAME	
MM	(INCH)	CHKD	DATE	宁波高正电子有限公司 DEGSON ELECTRONICS CO., LTD NAME DG129R-7.62-XXP-1Y-00A(H)			
TOLERANCES EXCEPT AS NOTED		MFD	DATE				
MM		APPVL	DATE				
0 ±	±			DRAWING NO. DG129R-7.62-E01			
.00 ±	±			/PART NO.			
000 ±	±			MATERIAL :			
ANGLES ± 1°		G.E :		DO NOT SCALE DRAWING			
THIRD ANGLE PROJECTION		FINISH:		SCALE : 1:1		SHEET 1 OF 1	
						SIZE T4 04/25/09	