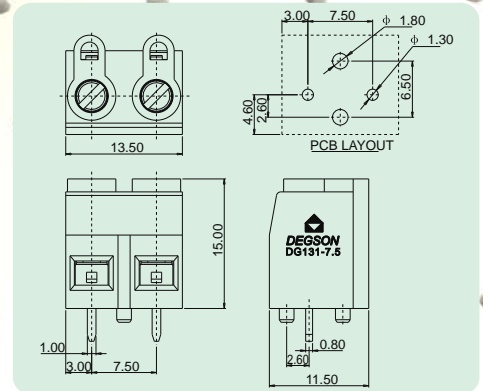


DG131-7.5

- Screw connection technology;
- Testhole available, test can be done without tightening the screws.



Technical data

 APPROVAL: **CE**

Model	Wire range (AWG/mm ²)	Poles	IEC60947 data sheet		UL1059 data sheet	
			Rated voltage(V)	Rated current(A)	Rated voltage(V)	Rated current(A)
DG131-7.5	24-12/0.2-2.5	02P	450	18	300	15

Application

Industrial automation, instrument, security, power supply etc.



Packing

Product model	Pcs./Pkt.
DG131-7.5-02P	50

Cross reference

DEGSON	Competitor1	Competitor2
DG131-7.5	-	-

How to order

DG131-7.5	-	X	X	P	-	1	Y	-	0	0	A(H)
Series NO.		NO. of pole							Standard		
		1	2			1	2		Color		
		Single pitch	Double pitch			Green			PANTONE	556C	DEGSON
											04