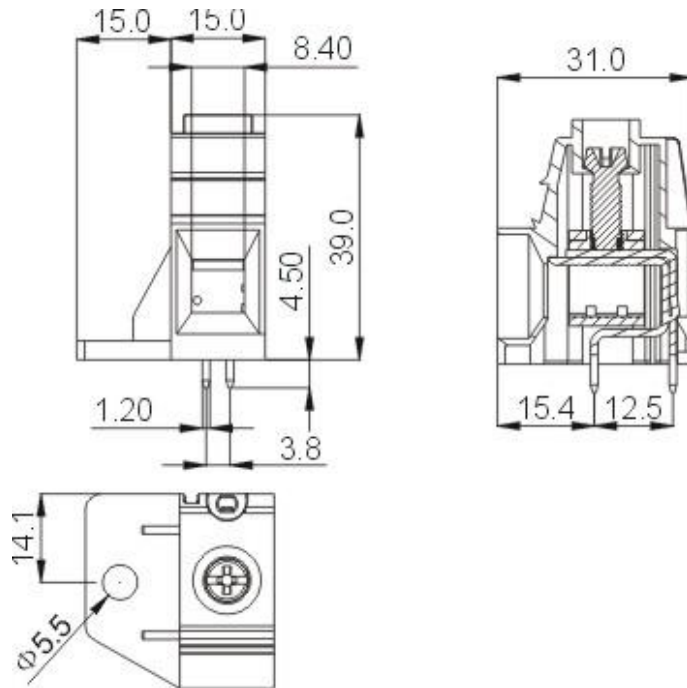





**DG137TM-15.0-10A**

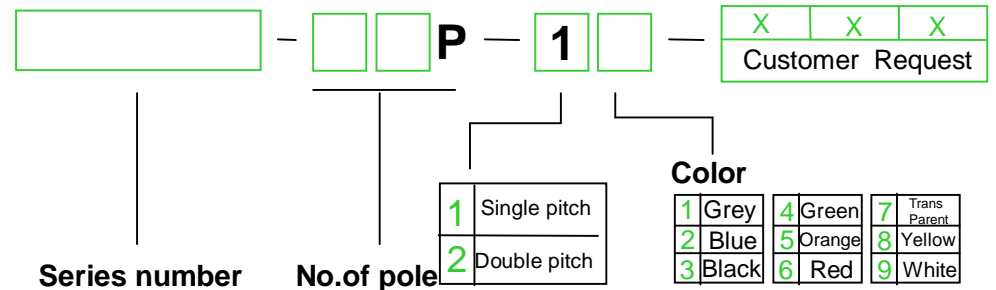


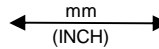

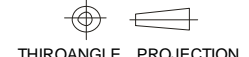
<b>APPROVAL</b>		
<b>Electrical</b>	<b>UL</b>	<b>IEC</b>
Standard	600V	1000V
Rated voltage	90A	115A
Rated current	20-2AWG	4-.0-35mm <sup>2</sup>
Wire range	AC3500V/1Min	
Withstanding voltage		

<b>Mechanical</b>		
Torque	2.0Nm(17.5Lb-In)	
Ambient temperature	-40°C ~ +105 °C	
Strip length	18mm	
<b>Dimensions</b>		
pitch	15.0mm(. 590" )	
Poles	1P	

<b>Material</b>		
Housing	PA66,UL94V-0	
Screws	M5,Steel, Cr <sup>3+</sup> Znplated	
Pin header	Copper, Tin-plated	
Cage	Steel,Cr <sup>3+</sup> Znplated	

**HOW TO ORDER :**



 mm (INCH)	 <b>DEGSON ELECTRONICS CO., LTD.</b>
 THROANGLE PROJECTION	<b>NAME</b> <b>DG137TM-15.0-10A</b>