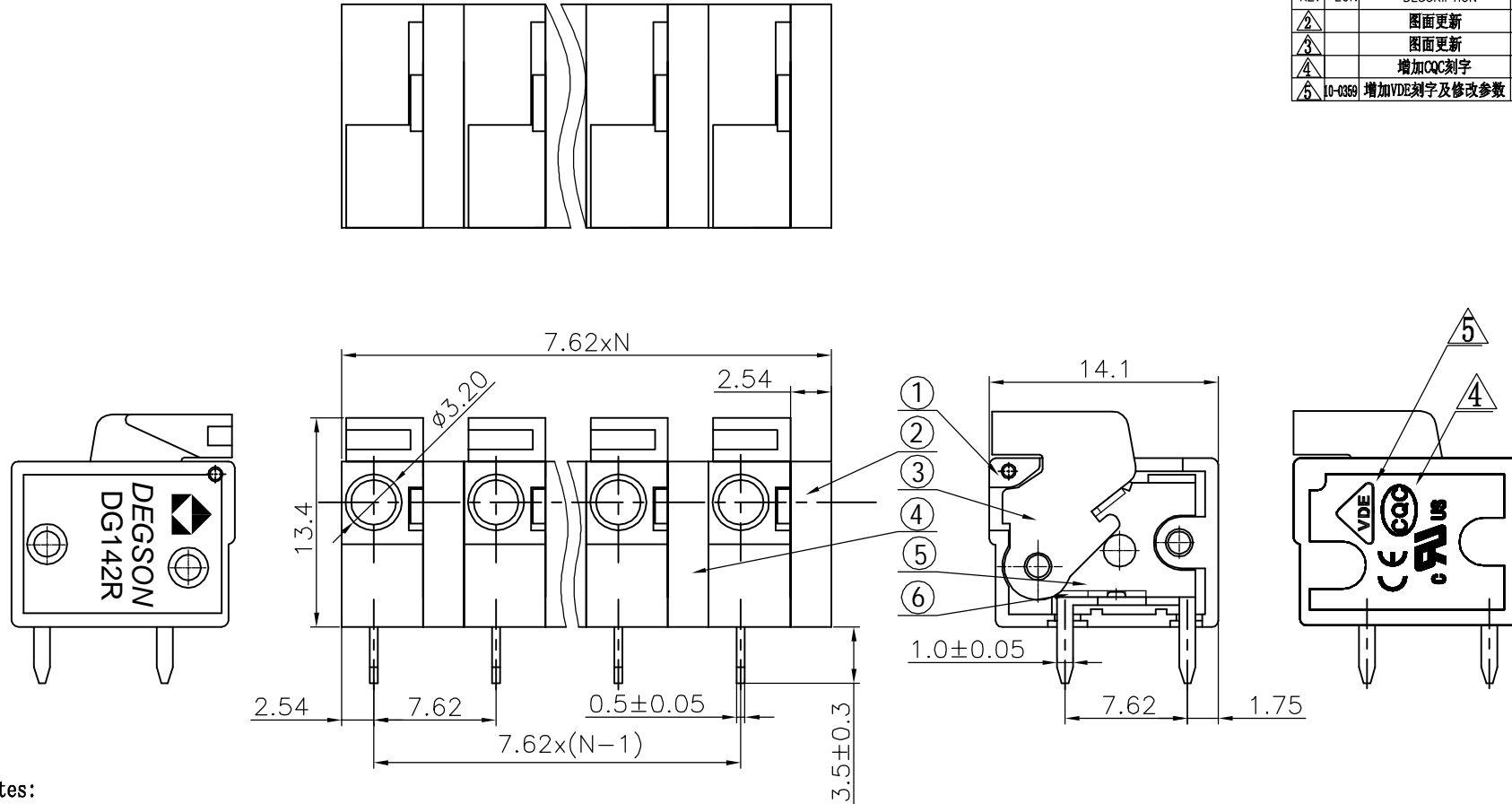


REVISION RECORD				
REV	ECN	DESCRIPTION	DRFT	DATE
△		图面更新	HW	05/07/06
△		图面更新	WF	01/31/07
△		增加CQC刻字	WLM	01/15/09
△	10-0369	增加VDE刻字及修改参数	ZXX	10/21/10



Notes:

1. Pitch:7.62mm , Poles:XXP
2. Rated voltage/current:UL 300V/10A
VDE 450V/15A △
3. Operation temperatures:-40℃~+105℃
4. Withstanding Voltage:AC2000V/1min
5. Insulation Resistance:5000MΩ/DC1000V
6. Wire Range:22~16AWG, 0.2~1.5mm² △
7. Undimensioned Tolerances:

Pitch range in mm		Nominal dimension range in mm					
to 6	over 6 to 10	over 10 to 24	to 30	over 30 to 60	over 60 to 100	over 100 to 150	—
±0.10	±0.15	±0.25	±0.2	±0.3	±0.5	±0.7	±1
							0.05/10

Item	Description	Part No.	Material	Quantity	Notes
6	DG142 Spring	X000000130 (H)	Stainless Steel		
5	DG142R Pin header	3005B00010 (H)	Brass	SnCe plated	
4	DG142 Clapboard	3003H0Y01A (H)	XX-1	PA66	UL94V-0
3	DG142 Button	3003D0501A (H)	XX	PA66	UL94V-0
2	DG142 Cover	3003C0Y01A (H)	1	PA66	UL94V-0

ITEM	NAME OF PART	NO. OF PART	Q'TY	MATERIAL	NOTES
1	DG142R-5.08 Housing	3005A0Y01A (H)	XX	PA66	UL94V-0

TOLERANCES EXCEPT AS NOTED		DFTO Home DATE 02/15/06	
MM	±	CHKD	DATE
.0 ±	±	MFO	DATE
.00 ±	±	APPLV	DATE
.000 ±	±	MATERIAL :	
ANGLES ± 1°		G.E. :	
THIRD ANGLE PROJECTION		FINISH :	
SCALE : 1:1		DO NOT SCALE DRAWING	

DETAILED LISTS		NAME	
MM	±	NAME	
.0 ±	±	DG142R-7.62-XXP-1Y-00A(H)	
.00 ±	±	DRAWING NO. DG142R-7.62-E02	
.000 ±	±	/PART NO.	
SCALE : 1:1		SIZE	REV
DO NOT SCALE DRAWING		A3	T5
SHEET 1 OF 1		10/21/10	