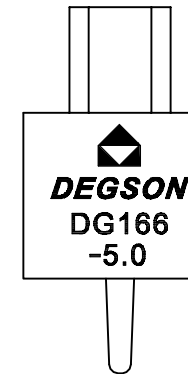
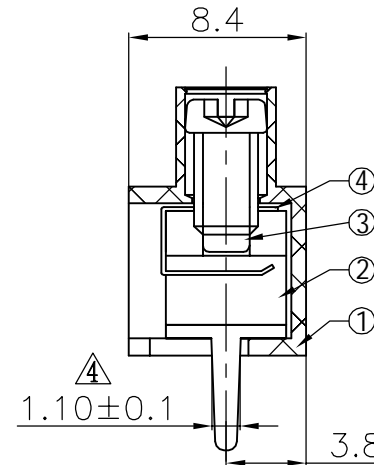
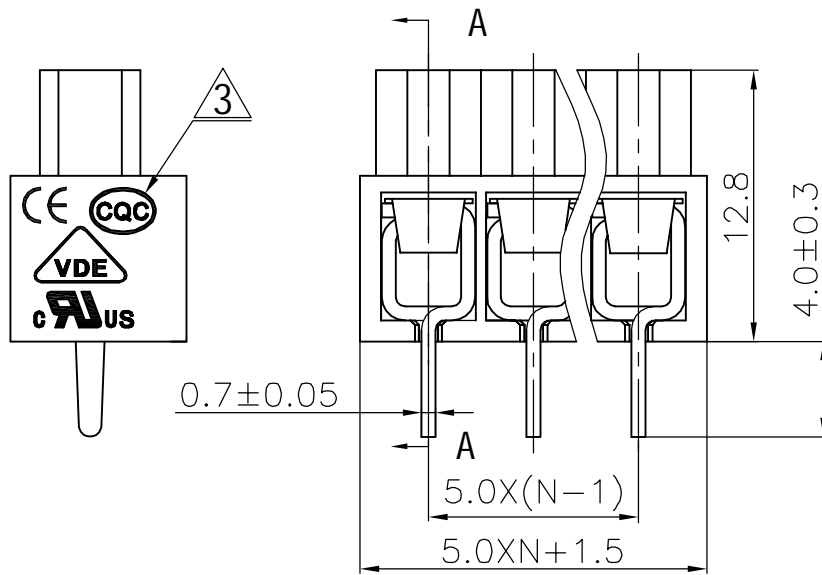
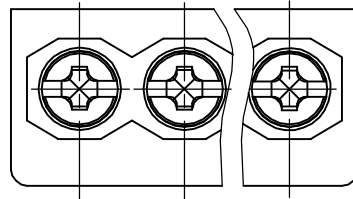


REVISION RECORD				
REV	ECO	DESCRIPTION	DRFT	DATE
△		Drawing Revise	Haoyh	08/03/06
△		增加UL刻字	CSX	06/26/07
△		增加VDE、CE刻字	LJH	12/26/07
△		修改尺寸及公差	LJH	07/08/08
△		出脚尺寸由4.2修改为4.0	WLM	08/06/08
△		材料改为不锈钢	YHG	11/14/09



Notes:

- Pitch: 5.0mm, Poles: 2-12P
- Rated voltage/current: UL 300V/15A
VDE 250V/22A
- Operation temperatures: -40°C ~ +105°C
- Withstanding Voltage: AC2000V/1Min
- Insulation Resistance: 5000MΩ/DC1000V
- Wire Range: 12~22AWG, 2.5mm²
- Max. Torque Value: M3.0, 5.10kgf.cm
- Undimensioned Tolerances:

Pitch range in mm		Nominal dimension range in mm							
	over 6	over 10		over 30	over 60	over 100	over 150	∅	
to	to 10	to 24	to 30	to 60	to 100	to 150		∇	
±0.10	±0.15	±0.25	±0.2	±0.3	±0.5	±0.7	±1.0	0.05/10	

ITEM	NAME OF PART	NO. OF PART	Q'TY	MATERIAL	NOTES
4	DG166-Spring	X00000210 (H)	XX	stainless steel	
3	DG166-Screws-M3	S000001660 (H)	XX	Steel	Cr ³⁺ Zn
2	DG166-Pin header	4021B00010 (H)	XX	Brass	SnCe
1	DG166-Housing	4021A0YXXA (H)	1	PA66	UL94V-0

DFTO Home		DATE 04/06/06	宁波高正电子有限公司 DEGSON ELECTRONICS CO., LTD	
CHKD	DATE			
MFO		DATE	NAME DG166-5.0-XXP-1Y-00A(H)	
APPVL		DATE		
MATERIAL :		DRAWING NO. DG166-5.0-E03 /PART NO.		
G.E :				
FINISH :		SIZE A3 REV T6 11/14/08		DO NOT SCALE DRAWING SHEET 1 OF 1
SCALE : 1:1				

8

7

6

5

4

3

2

1

H

G

F

E

D

C

B

A