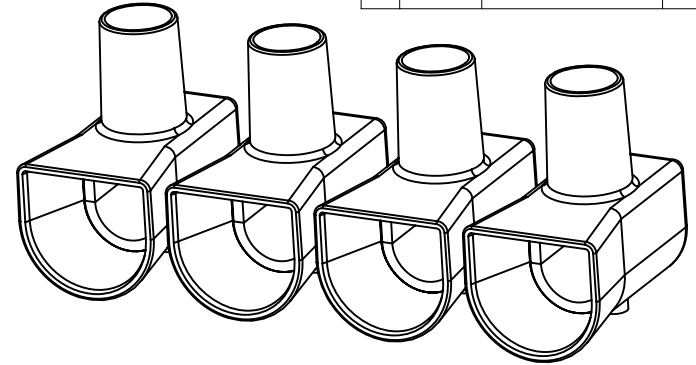
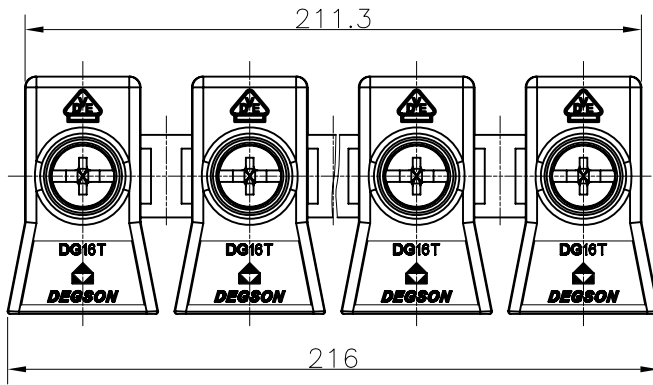
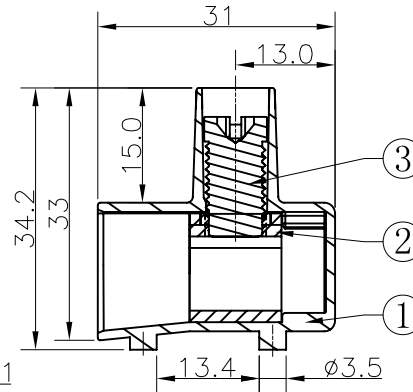
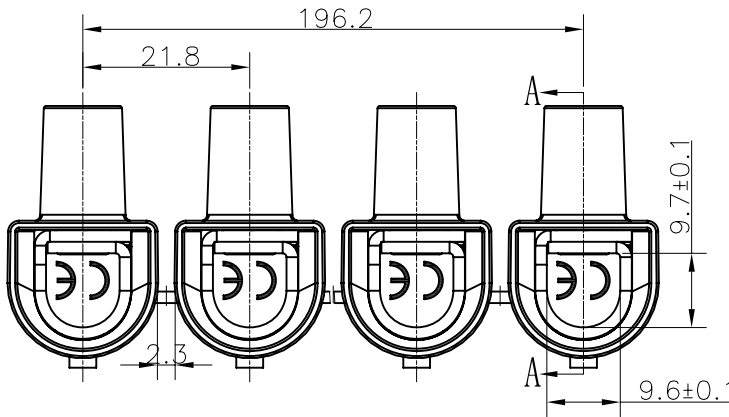


REVISION RECORD				
REV	ECN	DESCRIPTION	DRFT	DATE

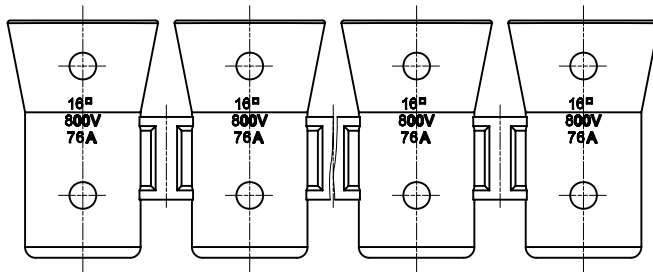


Notes:

1. Pitch: 21.8, Ploes: 10P
2. Rated voltage/Current: VDE 800V 76A
3. Operation temperatures: -40°C ~ +85°C
4. Withstanding Voltage: AC3000V/1Min
5. Insulation Resistance: 5000MΩ / DC1000V
6. Wire Range: 2x(4-16)mm<sup>2</sup>
7. Max. Torque Value: M8.0, 35.7Kgf.cm (31.01Lb.in).



Section A-A



3	DG16T" Screw	S000003440 (H)	10	Steel	Cr <sup>3+</sup> Zn
2	DG16T-Current carrier	X000004470 (H)	10	Steel	Cr <sup>3+</sup> Zn

ITEM	NAME OF PART	NO. OF PART	Q"TY	MATERIAL	NOTES																																			
1	DG16T-Housing	2045A0710A (H)	1	PC	UL94V-2																																			
<table border="1"> <tr> <td>← MM (INCH) →</td> <td>DFTO Apple</td> <td>DATE 10/10/09*</td> </tr> <tr> <td>TOLERANCES EXCEPT AS NOTED</td> <td>CHKD</td> <td>DATE</td> </tr> <tr> <td></td> <td>MFO</td> <td>DATE</td> </tr> <tr> <td></td> <td>APPVL</td> <td>DATE</td> </tr> <tr> <td>MM</td> <td colspan="2">MATERIAL :</td> </tr> <tr> <td>0-30 ±0.25</td> <td colspan="2">±</td> </tr> <tr> <td>30-60 ±0.3</td> <td colspan="2">±</td> </tr> <tr> <td>60-100 ±0.5</td> <td colspan="2">±</td> </tr> <tr> <td>100-150 ±0.7</td> <td colspan="2">±</td> </tr> <tr> <td>over150 ±1.0</td> <td colspan="2">±</td> </tr> <tr> <td>ANGLES ± 1°</td> <td colspan="2">G.E :</td> </tr> <tr> <td>THIRD ANGLE PROJECTION</td> <td colspan="2">FINISH :</td> </tr> </table>		← MM (INCH) →	DFTO Apple	DATE 10/10/09*	TOLERANCES EXCEPT AS NOTED	CHKD	DATE		MFO	DATE		APPVL	DATE	MM	MATERIAL :		0-30 ±0.25	±		30-60 ±0.3	±		60-100 ±0.5	±		100-150 ±0.7	±		over150 ±1.0	±		ANGLES ± 1°	G.E :		THIRD ANGLE PROJECTION	FINISH :		<p><b>DEGSON</b><sup>®</sup> 宁波高正电子有限公司 DEGSON ELECTRONICS CO., LTD</p> <p>NAME DG16T-10P-17-100A (H)</p> <p>DRAWING NO. DG16T-E02 /PART NO.</p> <p>SCALE : 1:1</p> <p>DO NOT SCALE DRAWING</p>		<p>SIZE A4</p> <p>REV TO 03/22/10*</p>
← MM (INCH) →	DFTO Apple	DATE 10/10/09*																																						
TOLERANCES EXCEPT AS NOTED	CHKD	DATE																																						
	MFO	DATE																																						
	APPVL	DATE																																						
MM	MATERIAL :																																							
0-30 ±0.25	±																																							
30-60 ±0.3	±																																							
60-100 ±0.5	±																																							
100-150 ±0.7	±																																							
over150 ±1.0	±																																							
ANGLES ± 1°	G.E :																																							
THIRD ANGLE PROJECTION	FINISH :																																							
			SHEET 1	OF 1																																				