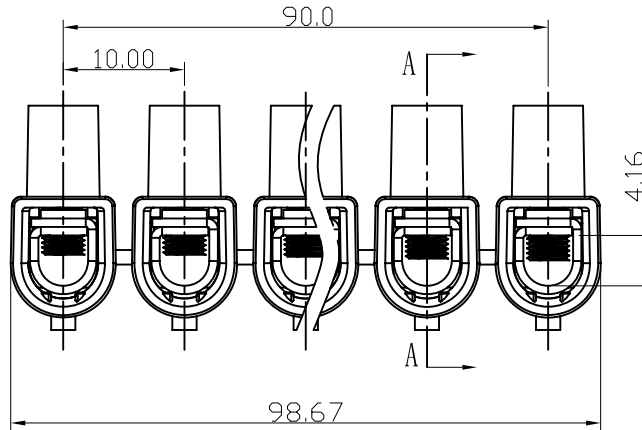
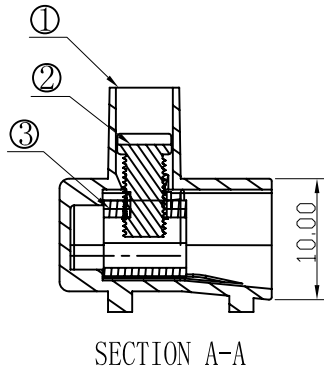
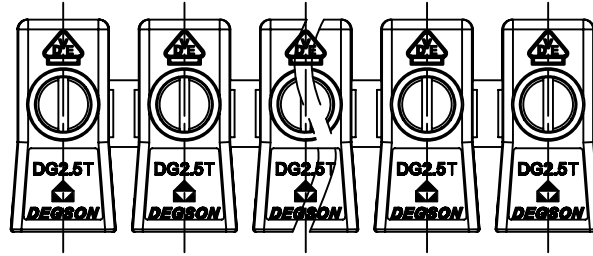


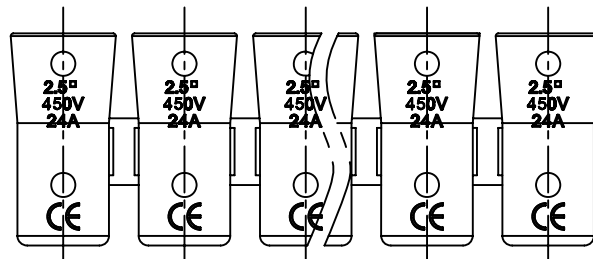
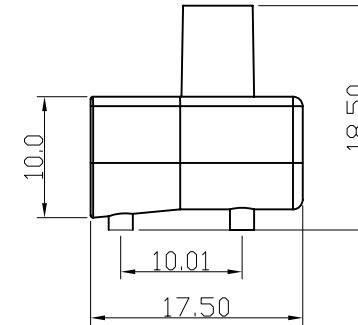
REVISION RECORD				
REV	ECN	DESCRIPTION	DRFT	DATE

Notes:

1. Pitch: 10.0mm , Poles: 10P
2. Rated voltage/current: VDE 450V/32A
3. Operation temperatures: -40°C ~ +85°C
4. Withstanding Voltage: AC2500V/1Min
5. Insulation Resistance: 5000MΩ / DC1000V
6. Wire Range: 2.5mm² * 2
7. Max. Torque Value: 8.16kgf.cm
8. Undimensioned Tolerances:



Pitch range in mm		Nominal dimension range in mm						—
to 8	over 8 to 16	over 16 to 24	to 6	over 6 to 30	over 30 to 90	over 90 to 200	over 200 to 480	∩ ∇
±0.08	±0.13	±0.18	±0.1	±0.2	±0.3	±0.5	±0.7	0.05/10



3	DG2.5T-Current carrier	X000003500 (H)	10	Steel	Cr ³⁺ Zn
2	DG2.5T (M3.5)-Screw	S000003140 (H)	10	Steel	Cr ³⁺ Zn

1	DG2.5T-Housing	2041A0710A (H)	1	PC	UL94V-2B
ITEM	NAME OF PART	NO. OF PART	Q'TY	MATERIAL	NOTES
DETACHED LISTS	MM (INCH)	DFTD Apple	DATE 07/22/09*	宁波高正电子有限公司 DEGSON ELECTRONICS CO., LTD NAME: DG2.5T-10P-17-100A(H) DRAWING NO. DG2.5T-E02 /PART NO. SIZE A3 REV TO 09/10/10*	
	TOLERANCES EXCEPT AS NOTED	CHKD	DATE		
	MM	MFD	DATE		
	±	APPVL	DATE		
	±	MATERIAL :			
ANGLES ± 1°	G.E :				
THIRD ANGLE PROJECTION	FINISH:			DO NOT SCALE DRAWING	SHEET 1 OF 1